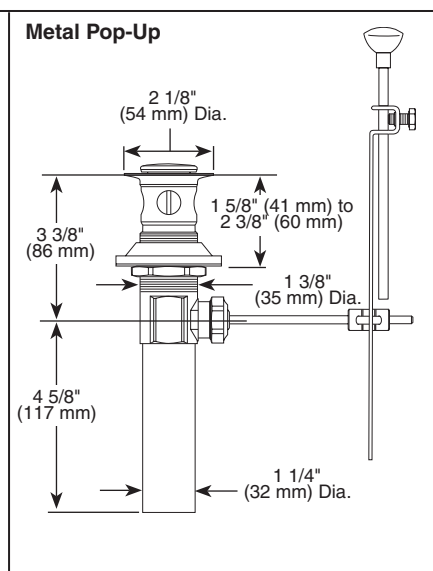
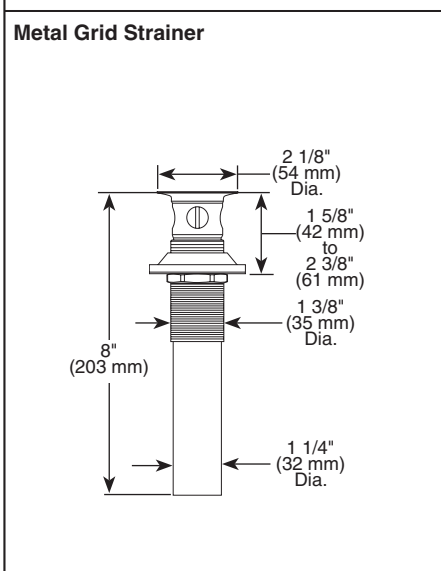
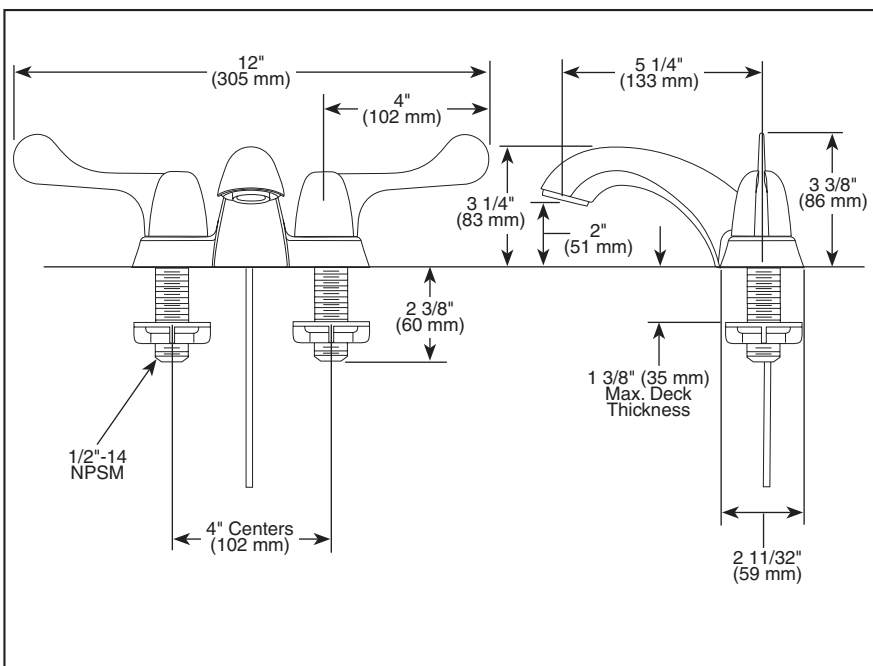


Submitted Model No.: _____
 Specific Features: _____



- Two Handle Deck Mount
- 2 and 3 Hole Sink Applications
- 4" (102 mm) Centerset

STANDARD SPECIFICATIONS:

- Solid brass fabricated body.
- 4" (102 mm) centerset.
- 5 1/4" (133 mm) long, 3 1/4" (83 mm) high rigid spout.
- Metal grid strainer (2529LF-HDF).
- Metal pop-up drain (2529LF-HDM).
- Hot and cold stems are interchangeable.
- 1/4 turn handle stops.
- Control mechanism is a rotating cylinder with stainless steel plate and 90° rotation, with replaceable non-metallic seats operating in stainless steel lined sockets.
- 1/2"-14 NPSM threaded male inlet shanks.
- Maximum 1.5 gpm flowrate @ 60 PSI.
- Models containing "M" in suffix have metal drain with pop-up type fitting with plated flange and stopper.
- 2529LF-LGHGMHDF equipped with vandal resistant .5 gpm spray outlet and wrench.

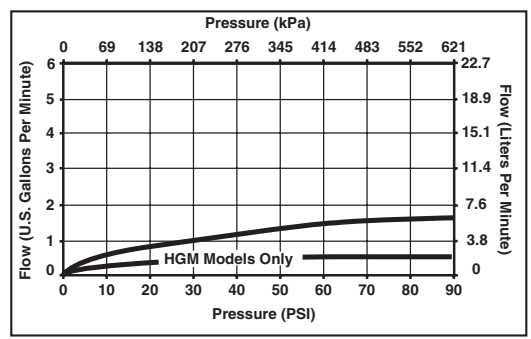
WARRANTY

- Lifetime Faucet and Finish Limited Warranty to the original consumer purchaser to be free from defects in material and workmanship.
- 5 Year Limited Warranty for usage in all industrial, commercial and business applications.



COMPLIES WITH:

- ASME A112.18.1 / CSA B125.1
- ASME A112.18.2 / CSA B125.2
- Indicates compliance to ICC/ANSI A117.1
- Verified compliant with .25% weighted average Pb content regulations.



Delta reserves the right (1) to make changes in specifications and materials, and (2) to change or discontinue models, both with out notice or obligation. Dimensions are for reference only. See current full-line price book or www.specselect.com for finish options and product availability.