



Lavatory Faucets

Widespread with CER-TECK® ceramic structures

Model No: 23C644-R5

COMPLIES WITH:

- CSA certified
- Complies to ASME Standard A112.18.1
- IAPMO listed
- (Contact Delta Representative for State and/or Local Approvals)
- 102 mm (4") Blade Handle ADA compliant and meets Handicapped Accessibility Standard ASME A117.1 of less than 5 lbs operating force



SPECIFICATION:

- Two handle widespread lavatory faucet
- 152 to 305 mm (6" to 12") adjustable centers
- Polished chrome plated finish trim
- Metal hold-down package
- CAST BRASS bodies
- Spout: R5 - Gooseneck-6.0" radius-12.0" height(unmounted)-Standard rigid/swivel field installation unless LS Limited swing option selected-Vandal resistant .090" wall thickness
- Outlet#: 4 - Standard 1.5 USGPM (5.7 L/Min) Flow Control Aerator
- Handle#: 4 - 102 mm (4") Blade Handles- ADA Compliant-Sanitary Hoods-Metal-Color indexed-Vandal resistant screws
- Heavy Duty Rigid/Swivel Inline (R2) Gooseneck Spout Less Pop-up

OPERATION:

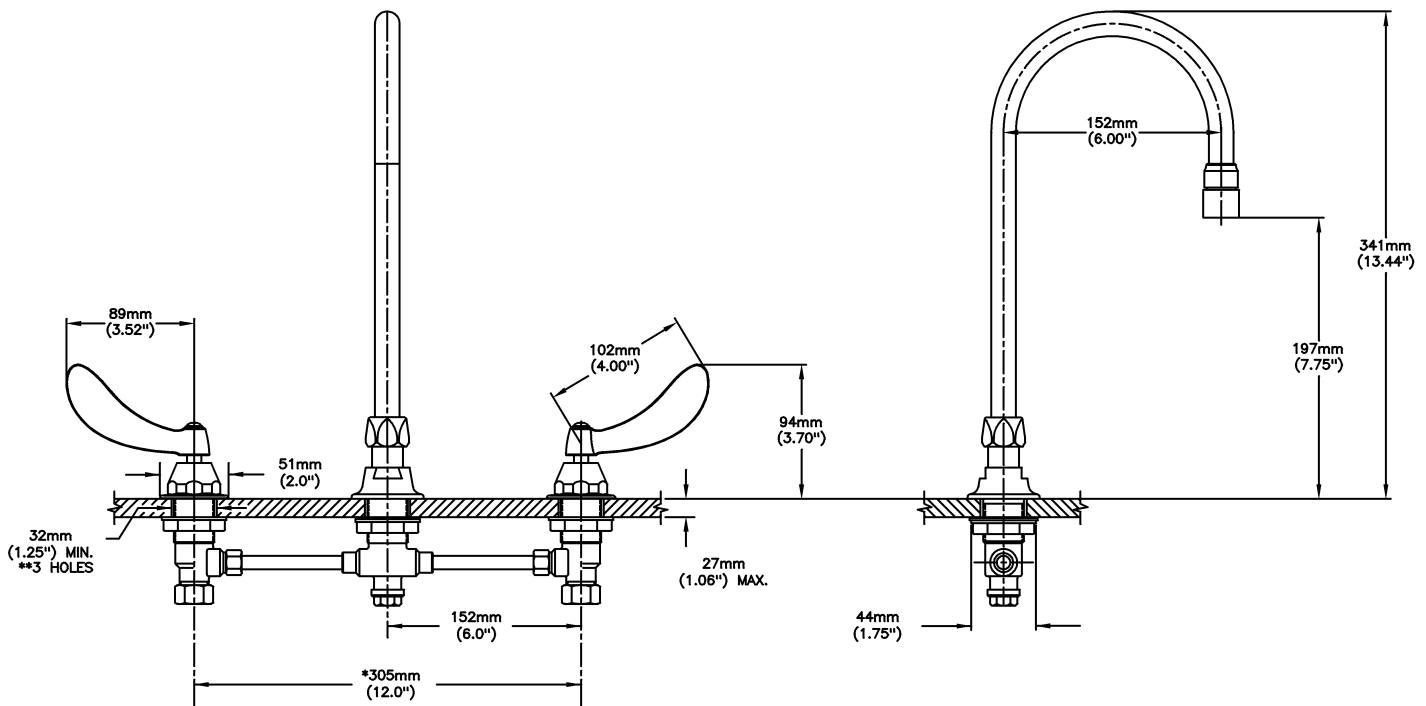
- Not Available

(Dimensional drawing on following page)

Delta reserves the right (1) to make changes to specifications and materials, and (2) to change or discontinue models, both without notice or obligation. Dimensions are for reference. Measurement may vary plus or minus 6mm(0.25"). Mounting locations are suggested only. Check with local codes for requirements in your area. This spec was produced November 01, 2011.

Delta Faucet Company - 55 East 111th St. - Indianapolis, Indiana, USA 46280 - (317) 848-1812
Delta Faucet Canada - 395 Matheson Blvd E - Mississauga, Ontario, Canada L4Z 2H2 - (905) 712-3030

Model No: 23C644-R5



* CAN BE CUT IN FIELD TO 152mm (6.0") MINIMUM

INLET FOR 3/8" OR 1/2" FLEXIBLE RISER
OR 1/2-14 NPSM COUPLING NUT (SUPPLIED)

Delta reserves the right (1) to make changes to specifications and materials, and (2) to change or discontinue models, both without notice or obligation. Dimensions are for reference. Measurement may vary plus or minus 6mm(0.25"). Mounting locations are suggested only. Check with local codes for requirements in your area. This spec was produced November 01, 2011.

Delta Faucet Company - 55 East 111th St. - Indianapolis, Indiana, USA 46280 - (317) 848-1812
Delta Faucet Canada - 395 Matheson Blvd E - Mississauga, Ontario, Canada L4Z 2H2 - (905) 712-3030