

SPECIFICATIONS

PRODUCT SPECIFICATIONS

On-wall Chiller Shelf for Use With 8 GPH Chillers. Overall dimensions are 12" x 14" x 24-3/4". Made of Galvanized Steel.

Mounting Type:	Wall Mount (On Wall)
Material:	Galvanized Steel
Finish:	Galvanized Steel
Dimensions:	12" x 14" x 24-3/4"
Shipping Weight:	15 lbs.

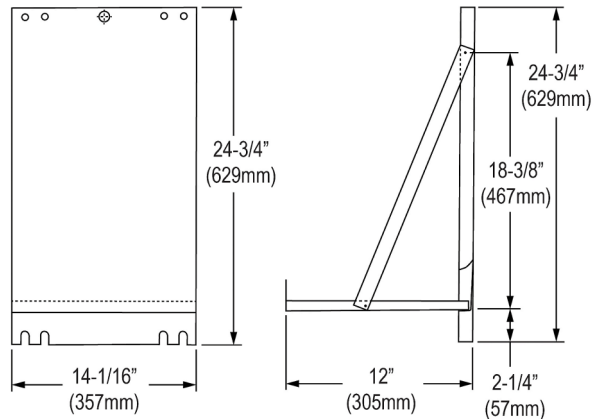
Special Note: For use with 8 GPH chillers.

- Allows chiller to be mounted on a wall
- Compatible with specific remote chiller models
- Shelf constructed of stainless steel
- Secures directly to a variety of load-bearing surfaces
- Remote chillers may install up to 15 feet away from bottle filling station and/or drinking fountain
- Built in the USA



Included with Product: Chiller Shelf

A Century of Tradition and Quality. For more than 100 years, Elkay has been making innovative products and providing exceptional customer care. We take pride in offering plumbing products that make life easier, inspire change and leave the world a better place.



PART: _____ QTY: _____

PROJECT: _____

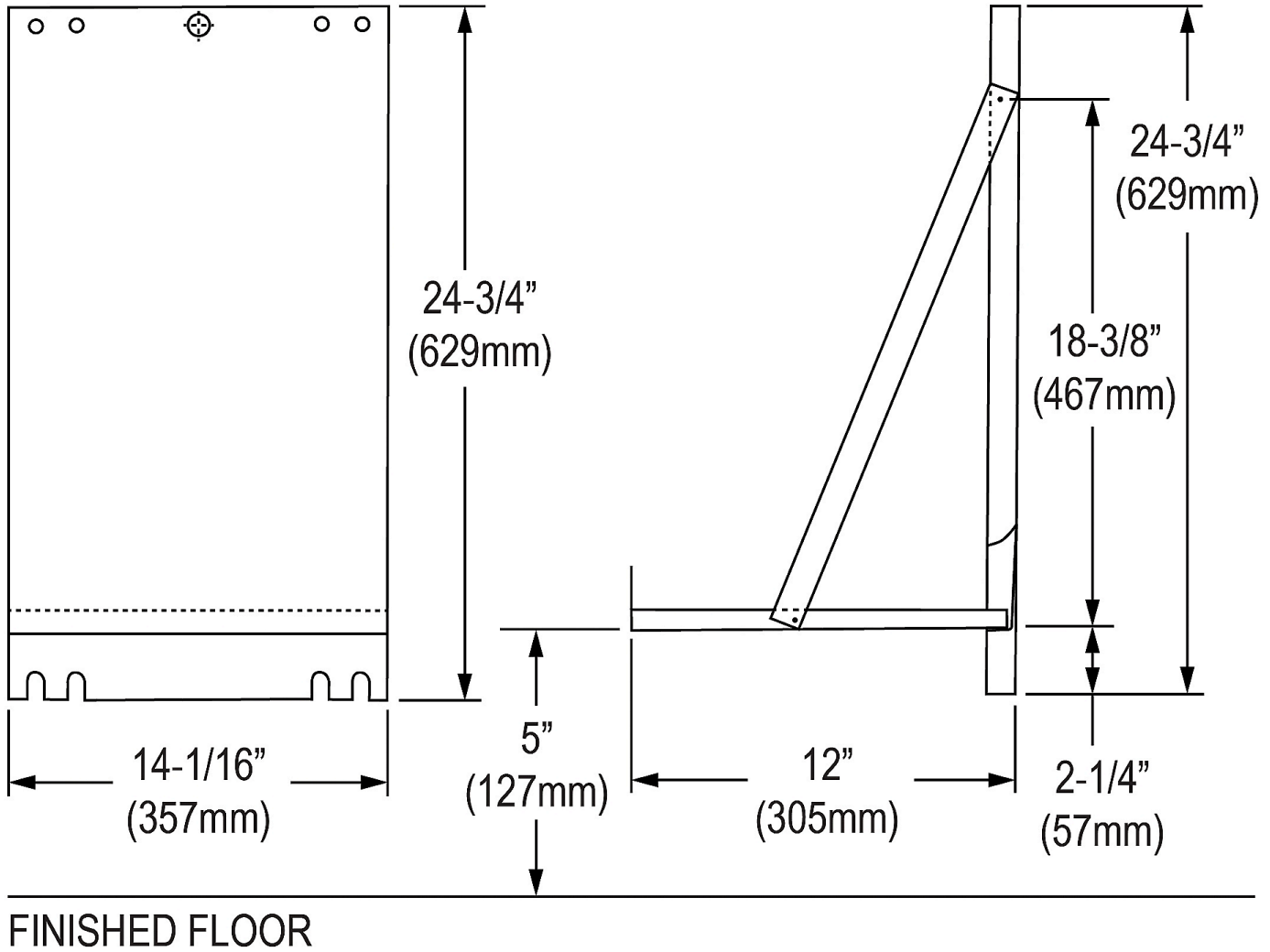
CONTACT: _____

DATE: _____

NOTES: _____

APPROVAL: _____

In keeping with our policy of continuing product improvement, Elkay reserves the right to change product specifications without notice. Please visit elkay.com for the most current version of Elkay product specification sheets. This specification describes an Elkay product with design, quality, and functional benefits to the user. When making a comparison of other producers' offerings, be certain these features are not overlooked.



In keeping with our policy of continuing product improvement, Elkay reserves the right to change product specifications without notice. Please visit elkay.com for the most current version of Elkay product specification sheets. This specification describes an Elkay product with design, quality, and functional benefits to the user. When making a comparison of other producers' offerings, be certain these features are not overlooked.