

### PRODUCT SPECIFICATIONS

Bubbler Kit Water-Efficient Vandal-Resistant. Overall dimensions are 1-1/2" x 1-1/2" x 2-1/2".

<b>Finish:</b>	Chrome (CR)
<b>Dimensions:</b>	1-1/2" x 1-1/2" x 2-1/2"
<b>Shipping Weight:</b>	1 lbs.

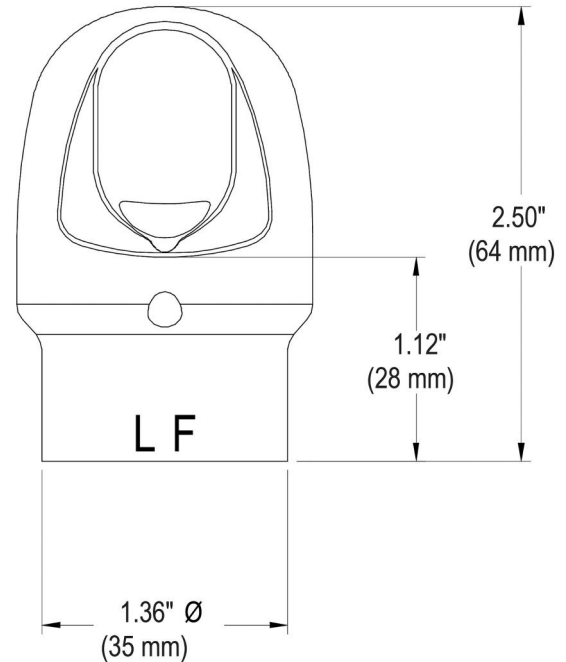
- Vandal resistant
- Water efficient, lower flow
- One-piece construction bubbler for use with our water coolers, bottle filling stations and drinking fountains
- Chrome plated
- Complements style of the cooler



**Included with Product:** Vandal-resistant bubbler, fittings and hardware

A Century of Tradition and Quality.  
For more than 100 years, Elkay has been making innovative products and providing exceptional customer care. We take pride in offering plumbing products that make life easier, inspire change and leave the world a better place.

[Installation Instructions \(PDF\) - 98482C](#)



PART: \_\_\_\_\_ QTY: \_\_\_\_\_

PROJECT: \_\_\_\_\_

CONTACT: \_\_\_\_\_

DATE: \_\_\_\_\_

NOTES: \_\_\_\_\_

APPROVAL: \_\_\_\_\_

*In keeping with our policy of continuing product improvement, Elkay reserves the right to change product specifications without notice. Please visit [elkay.com](http://elkay.com) for the most current version of Elkay product specification sheets. This specification describes an Elkay product with design, quality, and functional benefits to the user. When making a comparison of other producers' offerings, be certain these features are not overlooked.*