

PRODUCT SPECIFICATIONS

Celebrity® Stainless Steel 25" x 17" x 6-1/2" 2-Hole Single Bowl Drop-in Classroom ADA Sink w/VR Faucet+Drain+Bubbler. Sink is manufactured from 20 gauge 304 Stainless Steel with a Brushed Satin finish, Center drain placement, and Bottom only pads.

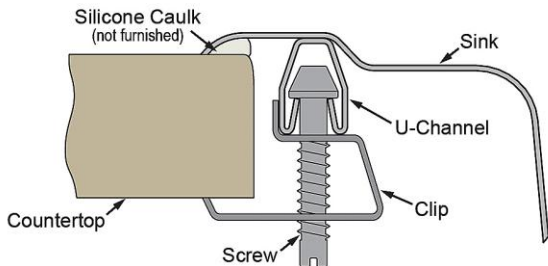
Installation Type:	Drop-in, Sink Kits
Material:	304 Stainless Steel
Finish:	Brushed Satin
Gauge:	20
Sound Deadening:	Bottom only pads
Number of Bowls:	1
Sink Dimensions:	25" x 17" x 6-1/2"
Bowl 1 Dimensions:	15-3/4" x 14" x 6-3/8"
Drain Size:	3-1/2" (89mm)
Drain Location:	Center
Minimum Cabinet Size:	30"
Mounting Hardware:	Part # 64090012 included for countertops up to 3/4" (19mm) thick
Template Included:	No
Cutout Template #:	1000001246

Template is available for download at elkay.com. CAD software will be required to open the template.

Cutout Dimensions for Drop-in Installation:

24-3/8" x 16-3/8" (619mm x 416mm) with 1-1/2" (38mm) corner radius

Installation Profile:



Included with Product: LKDVR208513LC faucet, LKVR18 drain, LKVR1141A bubblers

A Century of Tradition and Quality.

For more than 100 years, Elkay has been making innovative products and providing exceptional customer care. We take pride in offering plumbing products that make life easier, inspire change and leave the world a better place.

Product Compliance:

ADA & ICC A117.1

ASME A112.19.3/CSA B45.4

Faucet: ASME A112.18.1/CSA B125.1

CEC

NSF 372 (lead free)

NSF 61 (Q≤1)

Accessory: ASME A112.18.2/CSA B125.2



Sinks are listed by IAPMO® as meeting the applicable requirements of the Uniform Plumbing Code®, International Plumbing Code®, and National Plumbing Code of Canada.



Complies with ADA & ICC A117.1 accessibility requirements when installed according to the requirements outlined in these standards.

[Clean and Care Manual \(PDF\)](#)

[Installation Instructions \(PDF\) - 1000005236](#)

[Installation Instructions \(PDF\) - 0000001000](#)

[Installation Instructions \(PDF\) - 1000005235](#)

[Warranty \(PDF\)](#)

PART: _____ QTY: _____

PROJECT: _____




CONTACT: _____

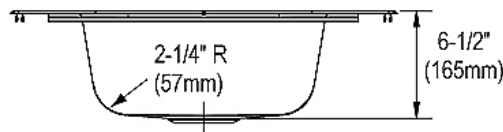
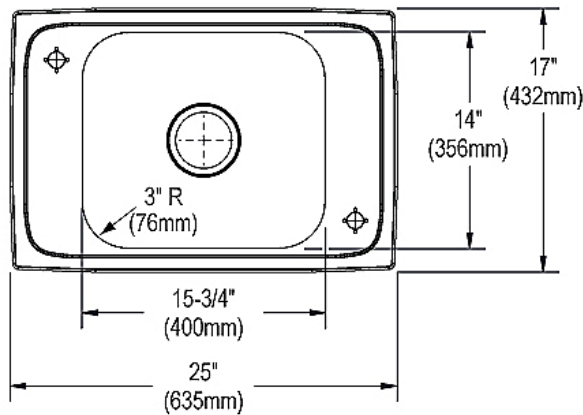
DATE: _____

NOTES: _____

APPROVAL: _____

In keeping with our policy of continuing product improvement, Elkay reserves the right to change product specifications without notice. Please visit elkay.com for the most current version of Elkay product specification sheets. This specification describes an Elkay product with design, quality, and functional benefits to the user. When making a comparison of other producers' offerings, be certain these features are not overlooked.

Included Accessories		
LKDVR208513LC	Single Hole 12-1/2" Vandal Resistant Deck Mount Faucet with Gooseneck Spout Lever Handle on Left Side Chrome Spec Sheet (PDF)	
LKVR1141A	Vandal Resistant Classroom Bubbler Spec Sheet (PDF)	
LKVR18	3-1/2" Drain Nickel Plated Brass Body Vandal-resistant Strainer and Tailpiece Spec Sheet (PDF)	



1-1/8" (29mm) Diameter Slotted Holes (2 Places)

In keeping with our policy of continuing product improvement, Elkay reserves the right to change product specifications without notice. Please visit elkay.com for the most current version of Elkay product specification sheets. This specification describes an Elkay product with design, quality, and functional benefits to the user. When making a comparison of other producers' offerings, be certain these features are not overlooked.