

PRODUCT SPECIFICATIONS

Stainless Steel 16-3/4" x 15-1/2" x 13" 2-Hole Single Bowl Wall Hung Handwash Sink w/Side Splashes. Sink is manufactured from 20 gauge 304 Stainless Steel with a Buffed Satin finish, Center drain placement.

| | |
|----------------------------------|---------------------------|
| Material: | 304 Stainless Steel |
| Finish: | Buffed Satin |
| Gauge: | 20 |
| Weight Without Packaging: | 10.5 |
| Number of Bowls: | 1 |
| Sink Dimensions: | 17" x 15-1/2" x 13-3/4" |
| Bowl 1 Dimensions: | 13-5/8" x 9-3/4" x 5-3/4" |
| Drainboard Location: | No drainboard |
| Backsplash Height: | 7.625 |
| Drain Size: | 2" (51mm) |
| Drain Location: | Center |

Special Note: Side splashes



A Century of Tradition and Quality. For more than 100 years, Elkay has been making innovative products and providing exceptional customer care. We take pride in offering plumbing products that make life easier, inspire change and leave the world a better place.

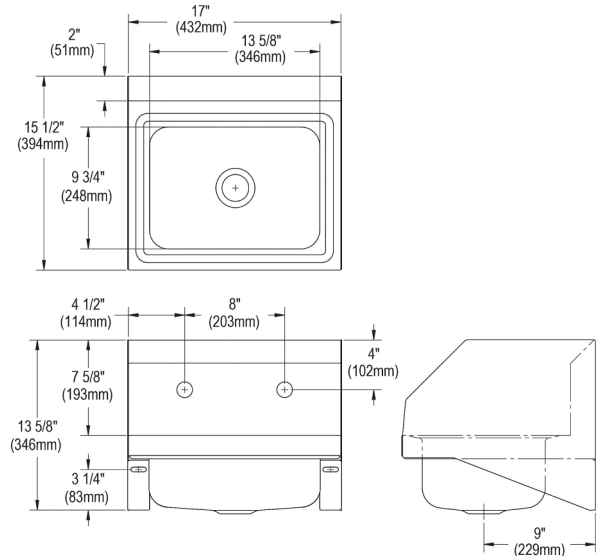


Product Compliance: ASME A112.19.3/CSA B45.4
NSF 2



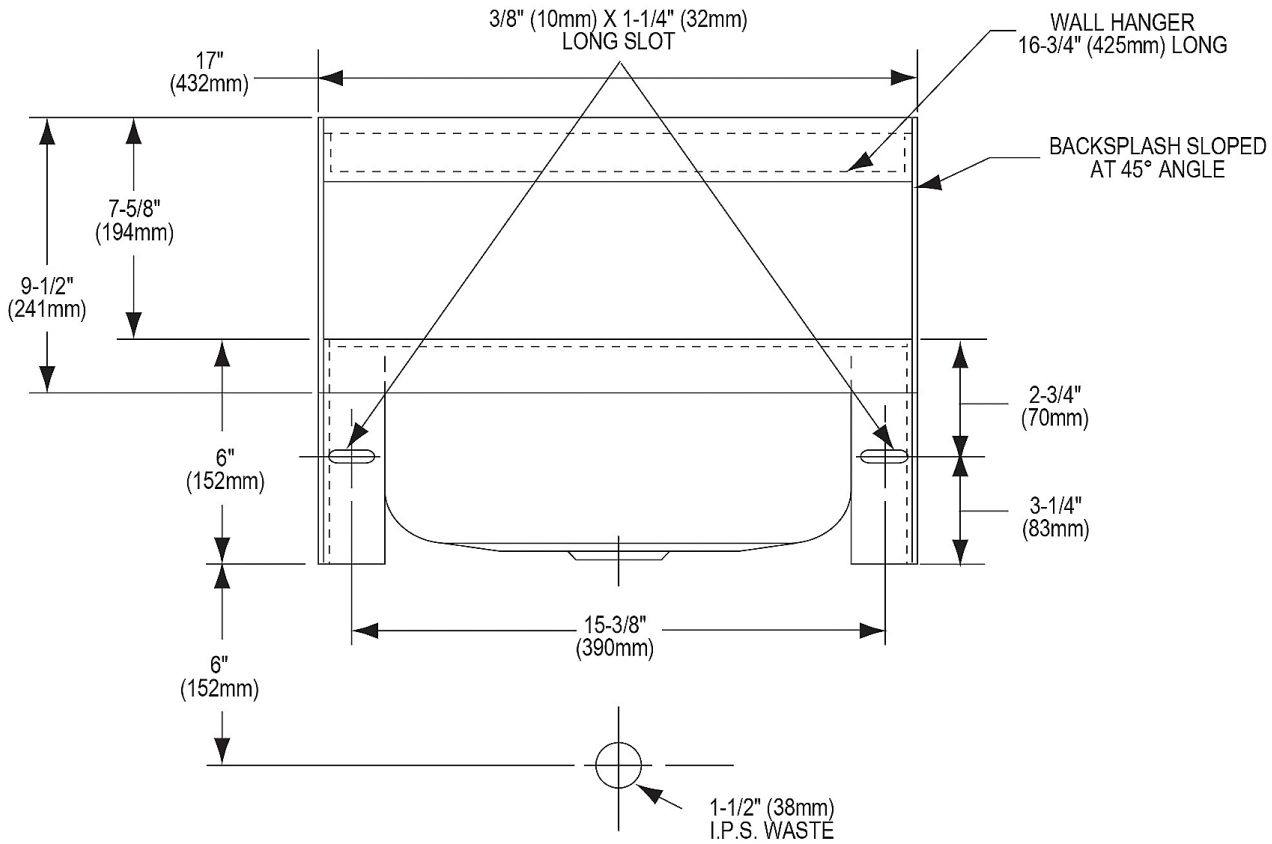
Sinks are listed by IAPMO® as meeting the applicable requirements of the Uniform Plumbing Code®, International Plumbing Code®, and National Plumbing Code of Canada.

[Clean and Care Manual \(PDF\)](#)
[Installation Instructions \(PDF\) - 2000000714](#)
[Warranty \(PDF\)](#)



PART: _____ QTY: _____
 PROJECT: _____
 CONTACT: _____
 DATE: _____
 NOTES: _____
 APPROVAL: _____

In keeping with our policy of continuing product improvement, Elkay reserves the right to change product specifications without notice. Please visit elkay.com for the most current version of Elkay product specification sheets. This specification describes an Elkay product with design, quality, and functional benefits to the user. When making a comparison of other producers' offerings, be certain these features are not overlooked.



In keeping with our policy of continuing product improvement, Elkay reserves the right to change product specifications without notice. Please visit elkay.com for the most current version of Elkay product specification sheets. This specification describes an Elkay product with design, quality, and functional benefits to the user. When making a comparison of other producers' offerings, be certain these features are not overlooked.