

PRODUCT SPECIFICATIONS

Stainless Steel 16-3/4" x 15-1/2" x 13" Single Bowl Wall Hung Handwash Sink Kit. Sink is manufactured from 20 gauge 304 Stainless Steel with a Buffed Satin finish, Center drain placement.

Material:	304 Stainless Steel
Finish:	Buffed Satin
Gauge:	20
Number of Bowls:	1
Sink Dimensions:	16-3/4" x 15-1/2" x 13"
Bowl 1 Dimensions:	12" x 9-1/4" x 6"
Drain Size:	2" (51mm)
Drain Location:	Center

Special Note: Side splashes



Included with Product: CHS1716 sink,
one LKB722C sensor faucet with AC plug-in / 4 AA batteries,
one LK724 mechanical mixing valve,
one LK8 drain fitting,
one LK500 P-trap

▼ **Ships in multiple boxes.**

A Century of Tradition and Quality.
For more than 100 years, Elkay has been making innovative products and providing exceptional customer care. We take pride in offering plumbing products that make life easier, inspire change and leave the world a better place.



Product Compliance: ASME A112.19.3/CSA B45.4
NSF 2
Faucet: ASME A112.18.1/CSA B125.1
CEC
NSF 372 (lead free)
NSF 61 (Q≤1)
Accessory: ASME A112.18.2/CSA B125.2






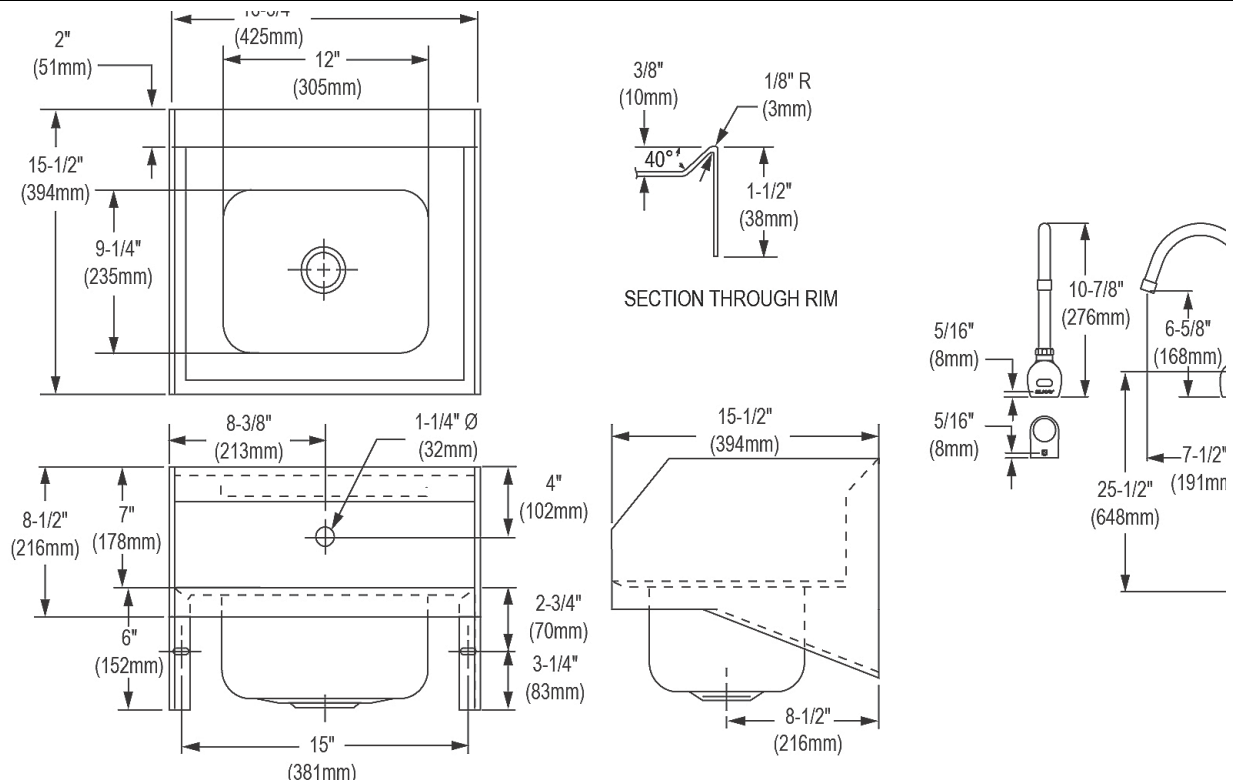
Sinks are listed by IAPMO® as meeting the applicable requirements of the Uniform Plumbing Code®, International Plumbing Code®, and National Plumbing Code of Canada.

- [Clean and Care Manual \(PDF\)](#)
- [Installation Instructions \(PDF\) - A55483](#)
- [Installation Instructions \(PDF\) - 1000005235](#)
- [Installation Instructions \(PDF\) - 2000000714](#)
- [Warranty \(PDF\)](#)

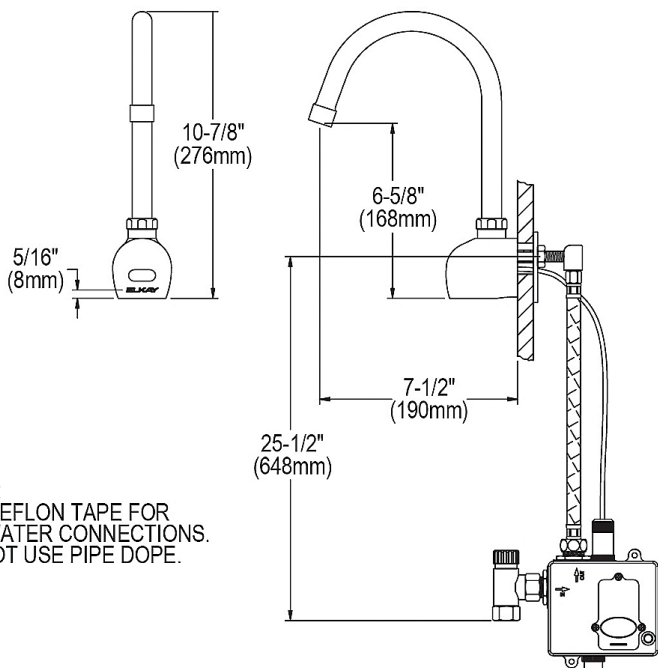
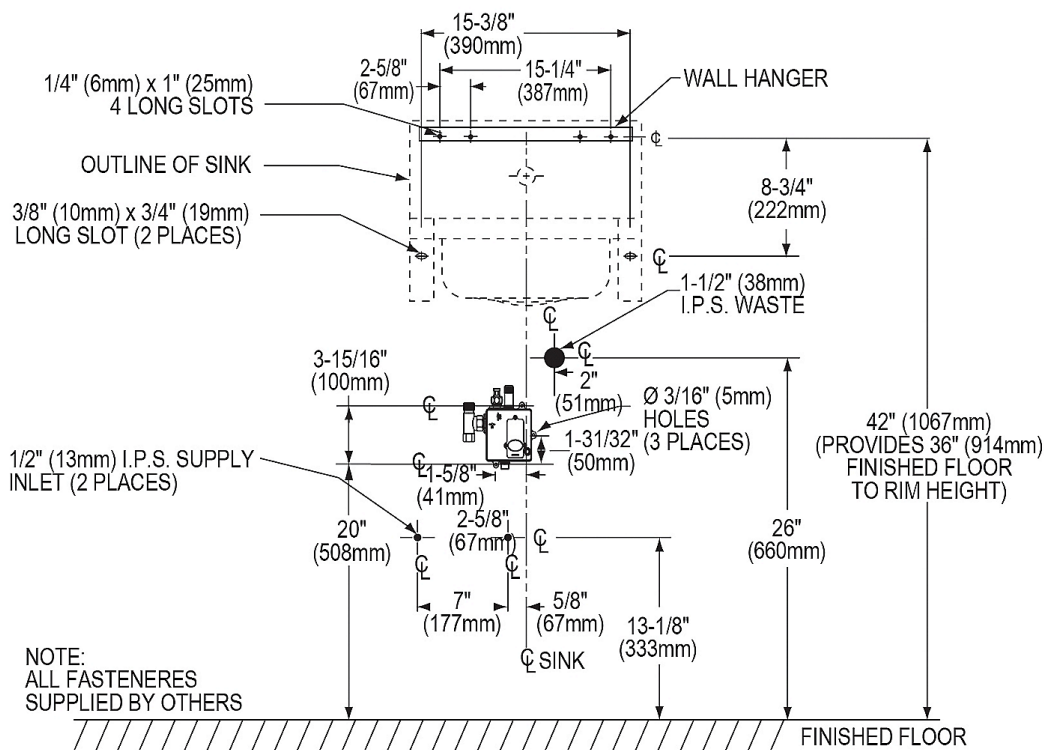
PART: _____ QTY: _____
PROJECT: _____
CONTACT: _____
DATE: _____
NOTES: _____
APPROVAL: _____

In keeping with our policy of continuing product improvement, Elkay reserves the right to change product specifications without notice. Please visit elkay.com for the most current version of Elkay product specification sheets. This specification describes an Elkay product with design, quality, and functional benefits to the user. When making a comparison of other producers' offerings, be certain these features are not overlooked.

Included Accessories		
LK500	P-Trap with Cleanout Plug Spec Sheet (PDF)	
LK8	2" Drain Fitting Type 304 Stainless Steel Body Grid Strainer and Tailpiece Spec Sheet (PDF)	
LKB722C	Commercial Electronic Sensor Scrub/Handwash Battery Powered Wall Mount Faucet Chrome Spec Sheet (PDF)	



In keeping with our policy of continuing product improvement, Elkay reserves the right to change product specifications without notice. Please visit elkay.com for the most current version of Elkay product specification sheets. This specification describes an Elkay product with design, quality, and functional benefits to the user. When making a comparison of other producers' offerings, be certain these features are not overlooked.



In keeping with our policy of continuing product improvement, Elkay reserves the right to change product specifications without notice. Please visit elkay.com for the most current version of Elkay product specification sheets. This specification describes an Elkay product with design, quality, and functional benefits to the user. When making a comparison of other producers' offerings, be certain these features are not overlooked.