

PRODUCT SPECIFICATIONS

Slimline Soft Sides® Heavy Duty Bi-Level Fountain Non-Filtered Non-Refrigerated Stainless. Features shall include Heavy Duty Vandal Resistant. Furnished with Vandal Resistant bubbler. Mechanical Front Bubbler Button activation. Product shall be Wall Mount (On Wall), for Indoor + Outdoor applications, serving 2 station(s).

Special Features:	Heavy Duty Vandal Resistant
Finish:	Stainless Steel (S)
Power:	No Electrical Required
Bubbler Style:	Vandal Resistant
Activation by:	Mechanical Front Bubbler Button
Mounting Type:	Wall Mount (On Wall)
Chilling Capacity:	Non-refrigerated
Dimensions (L x W x H):	38-1/2" x 19-3/8" x 20-3/8"
Approx. Shipping Weight:	60 lbs.
Installation Location**:	Indoor + Outdoor
No. of Stations Served:	2

**When used in non-temperature controlled environments, unit(s) must be adequately winterized and/or protected from extreme heat to prevent damage where climates dictate.

Special Note: If rear access is not available front access panels may be required such as ACCESS12X38-5 or AP99

- Mechanically-Activated unit continues to supply water in event of service disruptions.



**Included with Product: Fountain
Ships in one box.**

A Century of Tradition and Quality. For more than 100 years, Elkay has been making innovative products and providing exceptional customer care. We take pride in offering plumbing products that make life easier, inspire change and leave the world a better place.



PRODUCT COMPLIANCE

- ADA & ICC A117.1
- ASME A112.19.3/CSA B45.4
- NSF/ANSI 61 (Q≤1) & 372 (lead free)
- NSF REG4



Complies with ADA & ICC A117.1 accessibility requirements when installed according to the requirements outlined in these standards. Installation may require additional components and/or construction features to be fully compliant. Consult the local Authority Having Jurisdiction if necessary.

[Installation Instructions \(PDF\) - 98044C](#)

Water Systems are warranted for 12 months from date of installation. **Warranty pertains to drinking water applications only. Non-drinking water applications are not covered under warranty.**

[Warranty \(PDF\)](#)

PART: _____ QTY: _____

PROJECT: _____



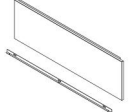

CONTACT: _____

DATE: _____

NOTES: _____

APPROVAL: _____

In keeping with our policy of continuing product improvement, Elkay reserves the right to change product specifications without notice. Please visit elkay.com for the most current version of Elkay product specification sheets. This specification describes an Elkay product with design, quality, and functional benefits to the user. When making a comparison of other producers' offerings, be certain these features are not overlooked.

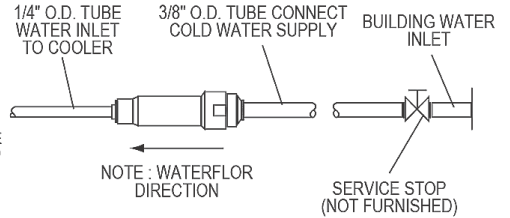
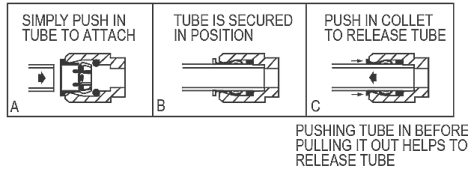
Optional Accessories		
LKAPR2	Cane Apron for EHW Stainless Steel Spec Sheet (PDF)	
AP99	Access Panel 9" x 9" x 6" Spec Sheet (PDF)	
ACCESS12X38-5	Stainless Steel Access Panel for Bi-Level Architectural Fountains Spec Sheet (PDF)	
EWF172	Universal Filtration Kit (1500-Gallon) Spec Sheet (PDF)	

In keeping with our policy of continuing product improvement, Elkay reserves the right to change product specifications without notice. Please visit elkay.com for the most current version of Elkay product specification sheets. This specification describes an Elkay product with design, quality, and functional benefits to the user. When making a comparison of other producers' offerings, be certain these features are not overlooked.

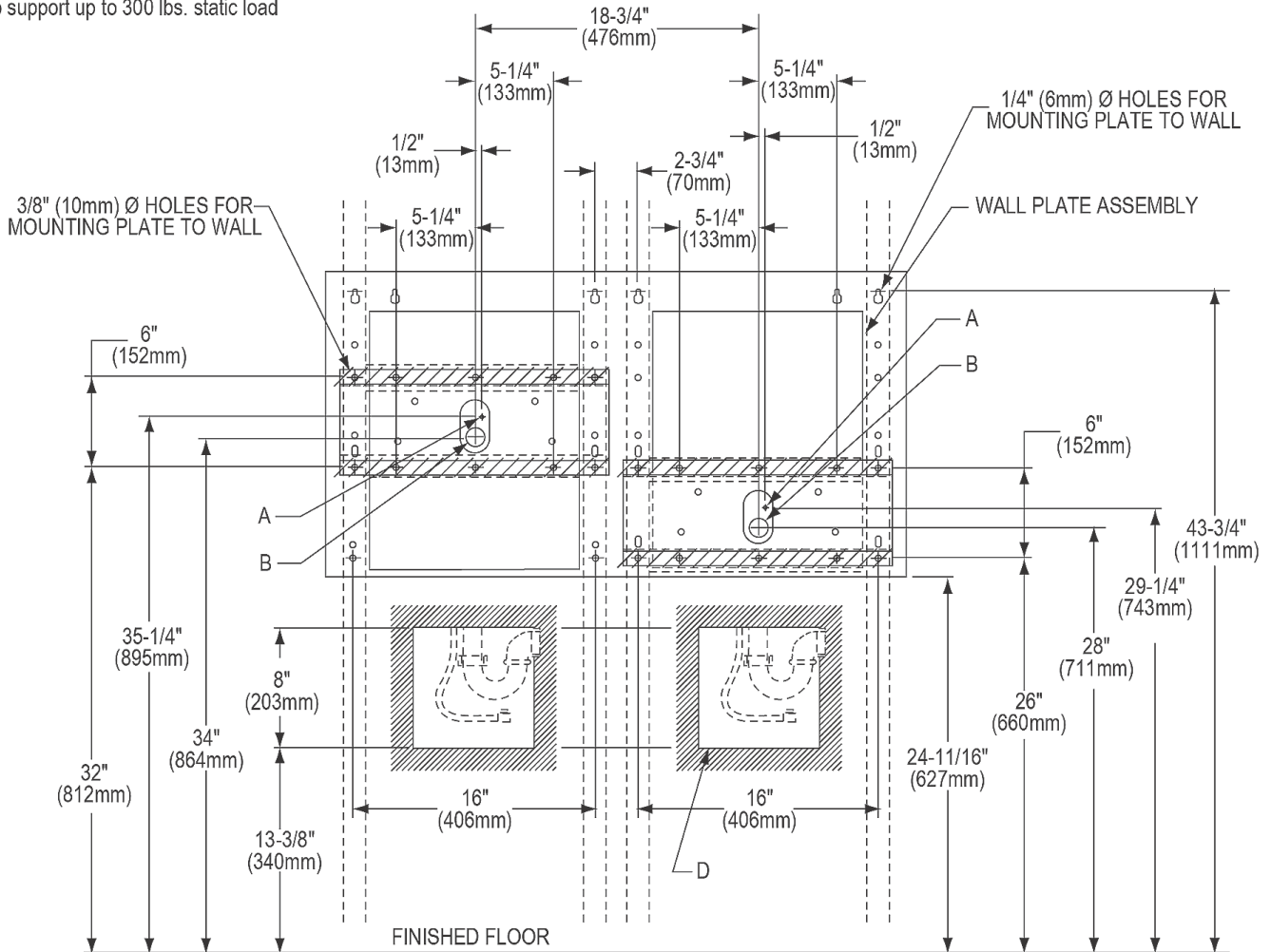
INSTALLER NOTE

This drinking fountain is furnished with a bubbler and valve including all connecting fittings which are manufactured of completely lead free material. Shut off valve (not furnished) to accept 3/8" O.D. unplated copper tube.

OPERATION OF QUICK CONNECT FITTINGS



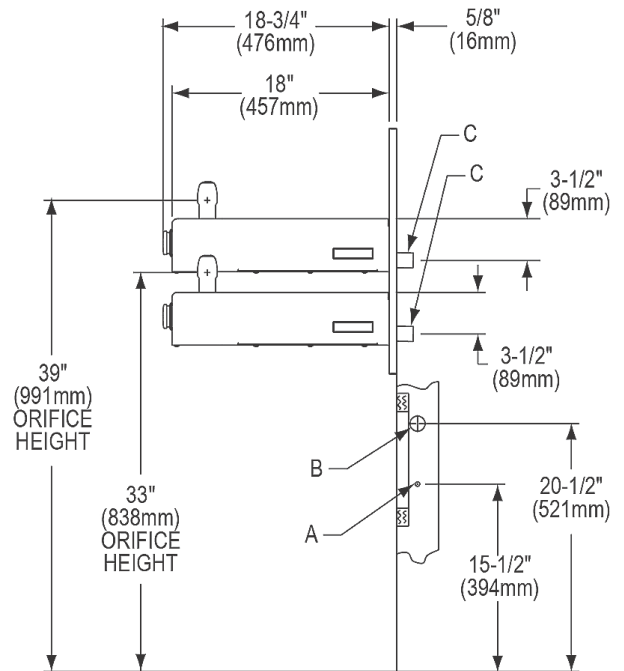
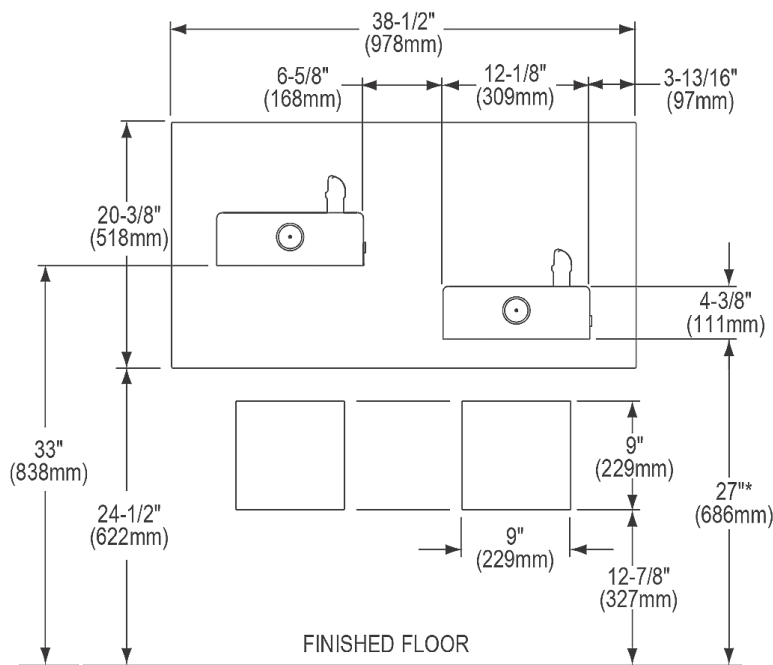
NOTE: Reinforce the wall in the shaded areas to support up to 300 lbs. static load



LEGEND

- A = Recommended water supply location 3/8 O.D. unplated copper tube connect stubbed 1-12 (38mm) from wall shut off by others.
 - B = Recommended location for waste outlet 1-1/4 O.D. drain.
 - D = Opening for optional AP99 access panel.
- NOTE: Reinforce the wall in shaded areas.

In keeping with our policy of continuing product improvement, Elkay reserves the right to change product specifications without notice. Please visit elkay.com for the most current version of Elkay product specification sheets. This specification describes an Elkay product with design, quality, and functional benefits to the user. When making a comparison of other producers' offerings, be certain these features are not overlooked.



LEGEND

- A = Recommended water supply location 3/8" O.D. unplated copper tube connect, stubbed 1-1/2" (38mm) from the wall. Shut off by others.
- B = Recommended location for waste outlet 1-1/4" O.D. drain, stubbed 6-5/8" (168mm) from the wall.
- C = 1-1/4" drain furnished.
- *Adult ADA requirement
- *24" (610mm) for child ADA, adjust other measurements accordingly.

In keeping with our policy of continuing product improvement, Elkay reserves the right to change product specifications without notice. Please visit elkay.com for the most current version of Elkay product specification sheets. This specification describes an Elkay product with design, quality, and functional benefits to the user. When making a comparison of other producers' offerings, be certain these features are not overlooked.