

# Installation & Use Manual

*Original Instructions*

**Model: EZS8\*2JO, LZS8\*2JO**



## Description

Combination Refrigerated Drinking Fountain (Cooler) delivers chilled, clean potable drinking water. Water Cooler houses the refrigeration and delivers a steady stream of water for direct drinking at the press of the front and sidebars.

## Ratings

- Electrical: 230Vac, 50Hz, (See Nameplate for Amperage), 1 phase.
- Ambient Air Temperature: 50-100.4 °F (10-38 °C).
- Water Pressure: 20-100 psig (0.14-0.69 MPa).
- Maximum Water Temperature: 90 °F (32 °C).
- Refrigerant: HFC-R134a
- Ingress Protection: IP2x
- For Indoor Commercial Use only.
- Water Inlet: 3/8" O.D. unplated copper tube.
- Waste Water Outlet: 1-1/4" O.D. tube

## Definitions

**DANGER** – Indicates death or serious injury will result if proper precautions are not taken.

**WARNING** – Indicates death, serious injury or property damage can result if proper precautions are not taken.

**CAUTION** – Indicates some injury or property damage may result if proper precautions are not taken.

**Authorized Service Personnel** – Factory trained personnel or personnel having working knowledge of electrical, plumbing and machine (appliance) maintenance procedures.

## Safety

### DANGER

- Please read these instructions completely before starting the installation or performing any service. Failure to follow the instructions and safety precautions in this manual can result in serious injury or death.
- After installation, keep these instructions in a safe location for future reference.

- Electric supply must be identical in voltage, cycle, and phase to that specified on nameplate.
- Electrical supply must have Ground Fault Circuit Interrupter (GFCI) protection.
- A means for disconnecting electrical supply to the unit must be incorporated in the fixed wiring in accordance with wiring rules. This is to allow electrical disconnection of the unit from electrical supply after installation.

### WARNING

- For use with clean, clear potable drinking water only. Do not use with water that is microbiologically unsafe or of unknown quality without adequate disinfection before the system.
- Installation and connection to water and electrical mains must be in compliance with local and national laws.
- All Installation and Service work must be performed by an authorized service personnel.

### CAUTION

- This appliance can be used by children aged from 8 years and above and persons with reduced physical, sensory, or mental capabilities or lack of experience and knowledge if they have been given supervision or instructions concerning use of the appliance in a safe way and understand the hazards involved. Children shall not play with the appliance. Cleaning and user maintenance shall not be made by children without supervision.
- To prevent a metallic taste or increased metal content in the water due to an electrolysis process caused by electrical feedback from the grounding of electrical equipment to water supply and water waste mains, connect to these mains using non-conductive materials. The provided Filter meets this requirement.

## Installation

For correct and safe installation, please read these instructions completely.

### DANGER

- All Installation work must be performed by an authorized service personnel.
- Disconnect electrical supply serving the Installation area to reduce risk of electrocution.
- Unit not suitable for installations where water jets could be used.

### WARNING

- Shut off water supply serving the Installation area to reduce risk of water damage.
- Ensure proper ventilation by maintaining clearance from cabinet louvers to wall on each side of Cooler as specified in Rough-In.
- Never wire compressor directly to electrical supply.
- Thoroughly flush all water lines and fittings of all foreign matter before connecting to Cooler.
- Warranty is void if Installation is not made in accordance with current Manufacturing instructions.

### CAUTION

- Hose-sets are not to be used for connecting to water mains.
- If inlet pressure is above 100 psig (0.69 MPa), a pressure regulator must be installed in water supply line. Any damage caused by reason of connecting this product to water supply line pressure outside it's rated pressure, is not covered by warranty.
- Tools/Items required but not provided.
  - a) Water Shut-off Valve with 3/8" (9.5mm) compression outlet.
  - b) Waste Trap (non-metallic)
  - c) Safety Glasses
  - d) Protective Gloves
  - e) Hex drives.
  - f) Fasteners for wall type.

## Installation: Cooler Mounting

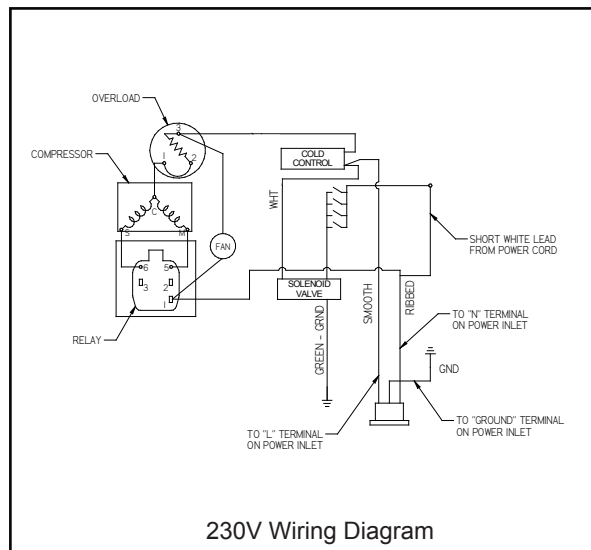
1. Remove Hanger Bracket fastened to back of cooler by removing one (1) screw.
2. Mount Hanger Bracket as shown in Figure 1.
  - NOTE: Hanger Bracket MUST be supported securely. Add fixture support carrier if wall will not provide adequate support. Anchor hanger securely to wall using all six (6) 9/32" (7mm) diameter mounting holes.
  - IMPORTANT: 5-7/8 inches (150mm) dimension from wall to centerline of trap must be maintained for proper fit.
3. Hang Cooler on the Hanger Bracket. Be certain the Hanger Bracket is engaged properly in the slots on the cooler back as shown in Figure 1,
4. Remove the four (4) screws holding the lower front panel at the bottom of cooler. Remove the front panel by pulling straight down and set aside.

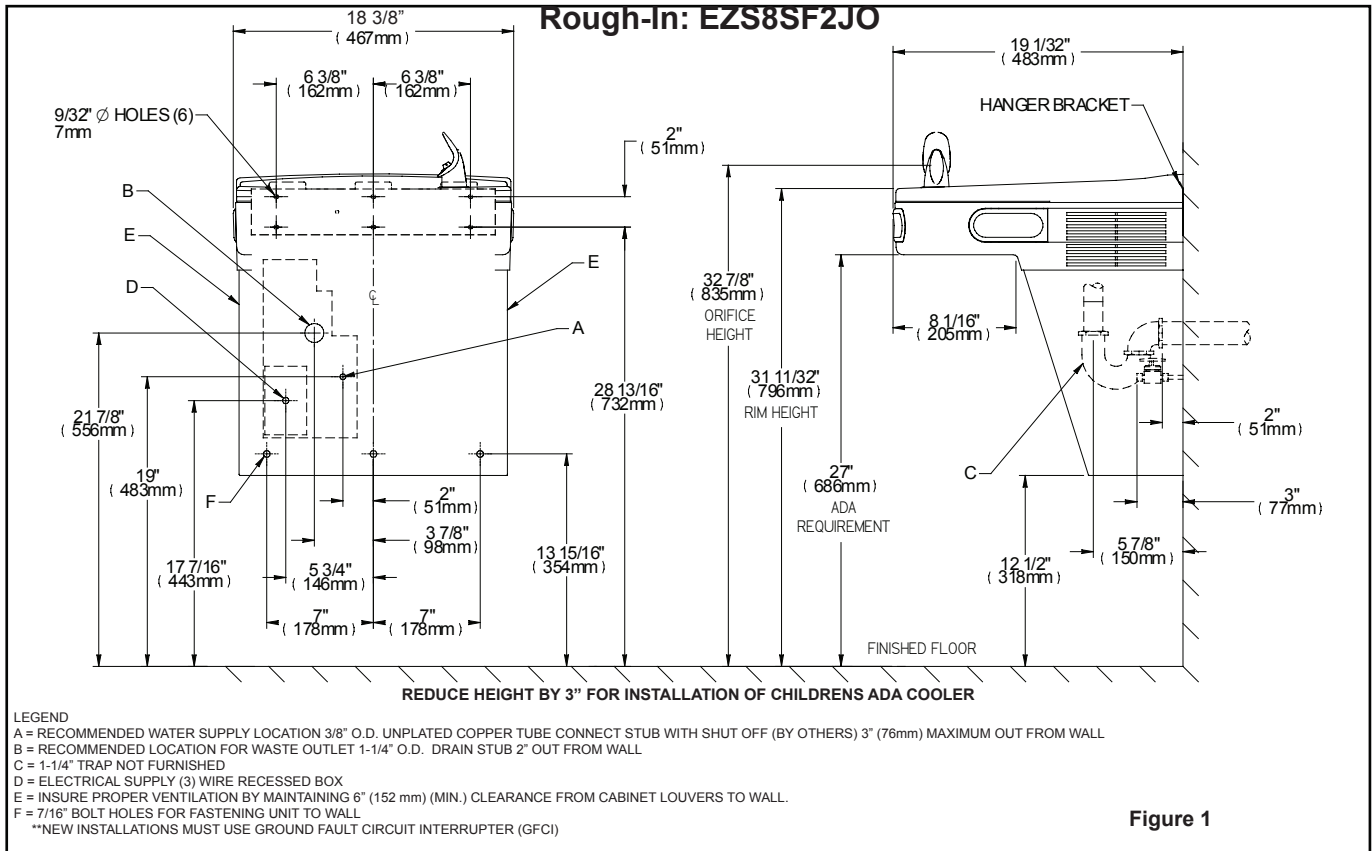
## Installation: Water Line connection

1. Ensure Mains Water Supply has Water Shut-off Valve with 3/8" (9.5mm) compression outlet.
2. Connect loose end of supplied 3/8" (9.5mm) unplated copper tube to Water Shut-off Valve. Other end of tube should be connected to inlet of In-Line Strainer.
  - NOTE: If 3/8" (9.5mm) copper tube must be cut for proper fit, remove all burrs from the outside of tube and re-flush before use.
3. Install waste trap. Remove the slip nut and gasket from the waste trap and install them on the cooler waste line making sure that the end of the waste line fits into the waste trap. Assemble the slip nut and gasket to the waste trap and tighten securely.
  - IMPORTANT: If it is necessary to cut the drain, loosen the screw at the black rubber boot and remove tube, check for leaks after reassembly
4. It is recommended that the waste trap be insulated to avoid excessive condensation due to chilled water running through the waste trap.
5. Turn on building water supply and open Water Shut-off Valve. Check all connections for leaks and correct any found.

## Installation: Electrical connection

1. Rotate fan to insure proper clearance and free fan action.
2. Connect modular (C-13) end of International Power Cord Set (sold separately) into Power Inlet on Cooler and ensure plug-end reaches electrical outlet. Do not plug into electrical outlet!





## Operation: Start-Up

1. Turn on the building water supply and check all connections for leaks.
2. Rotate fan to insure proper clearance and free fan action.
3. Connect plug-end of International Power Cord Set (sold separately) into electrical outlet.
4. Purge air from all water lines by depressing button or front push bar of cooler/fountain.
5. Recheck all water and drain connections with water flowing through system.
6. After verifying that the water cooler is properly connected and operational, replace and reattach the cooler front panel by retightening screws

## Service

For proper and safe servicing, please read these instructions completely.

### **DANGER**

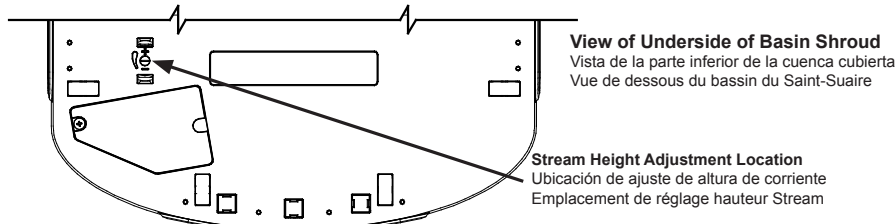
- All Service and Maintenance must be performed by an authorized service personnel.
- Disconnect electrical supply to the unit before any service work to reduce risk of electrocution.
- Shut off water supply serving the unit before any service work to reduce risk of water damage.

### **CAUTION**

- Tools/Items required but not provided, for Servicing:
  - a) Safety Glasses
  - b) Protective gloves
  - c) Hex drives.

## Service: Adjustments

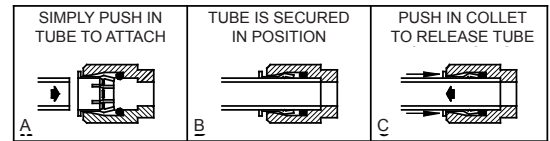
1. **Temperature Control:** Factory set for 50°F ± 5° (10°C ± 5°) water under normal conditions. To adjust water temperature, turn screw on Item No. 16 clockwise for colder, counter clockwise for warmer.
2. **Water Stream Height:** Stream height is factory set at 35 psig (0.24 MPa). If supply pressure varies greatly from this, adjust screw located on the right knee clearance area side at bottom of the switch shroud. Clockwise adjustment will raise stream and Counterclockwise adjustment will lower stream. For best adjustment, stream should hit basin approximately 6-1/2" (165mm) from bubbler on the downward slope of the basin.
3. **Water coming out of Bubbler continuously:** When this occurs at the end of the compressor cycle, turn the cold control warmer (counterclockwise) 1/4 turn.



## Service: Inspection/Cleaning

- Inspect Cooler twice each year for proper operation and performance.
  - Inspection of the unit will require disconnecting electrical supply, removal of panels, etc. and reassembly and return to service practices.
- Cleaning:** Warm, soapy water or mild household cleaning products can be used to clean the exterior panels. Extra caution should be used to clean the mirror finished stainless steel panels. They can be easily scratched and should only be cleaned with mild soap and water or Windex glass cleaner and a clean, soft cloth. Use of harsh chemicals or petroleum based or abrasive cleaners will void the warranty.
  - Bubbler:** Mineral deposits on the orifice can cause water flow to spurt or not regulate. Mineral deposits may be removed from the orifice with a small round file not over 1/8" (3 mm) diameter or small diameter wire.
    - CAUTION : DO NOT file or cut orifice material. Care must be taken not to damage the orifice(s)
  - Condenser Fan Motor:** Confirm condenser fan turns freely. If the condenser fan does not spin freely, have an authorized service personnel replace.
  - Ventilation:** Cabinet louvers and condenser fins should be periodically cleaned with a brush, air hose or vacuum cleaner. Cleaning should be done twice each year or more frequently if needed due to environment. Excess dirt or poor ventilation can cause no cold water and compressor cycling on the compressor overload protector.
  - Water Flow:** Confirm proper water flow. If water flow is slow, inspect filter or inline strainer for restriction. Replace filter cartridge if required. Disassemble inline strainer and clean if required.
  - Lubrication:** Motors are lifetime lubricated.
  - Actuation of Quick Connect Water Fittings:** Cooler is provided with lead-free connectors which utilize o-ring water seal. To remove tubing from the fitting, relieve water pressure, push in on the gray collar before pulling on the tubing. To insert tubing, push tube straight into fitting until it reaches a positive stop, approximately 3/4" (19mm).

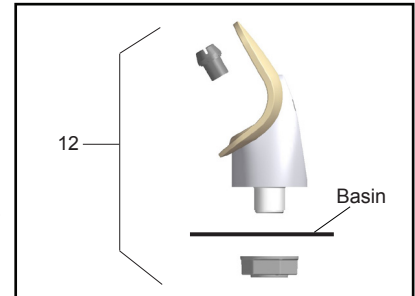
### OPERATION OF QUICK CONNECT FITTINGS



PUSHING TUBE IN BEFORE PULLING IT OUT HELPS TO RELEASE TUBE

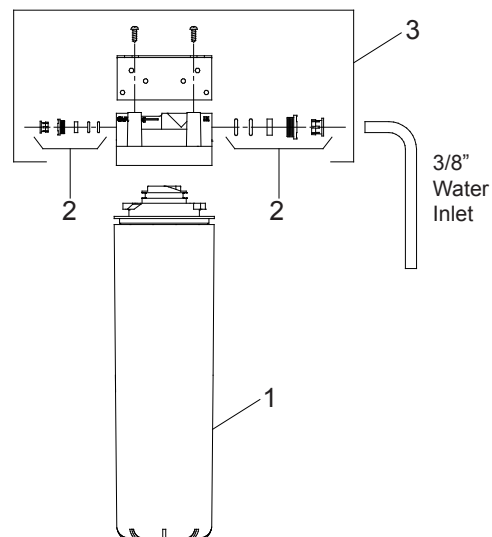
## Service: Inspection/Replacement

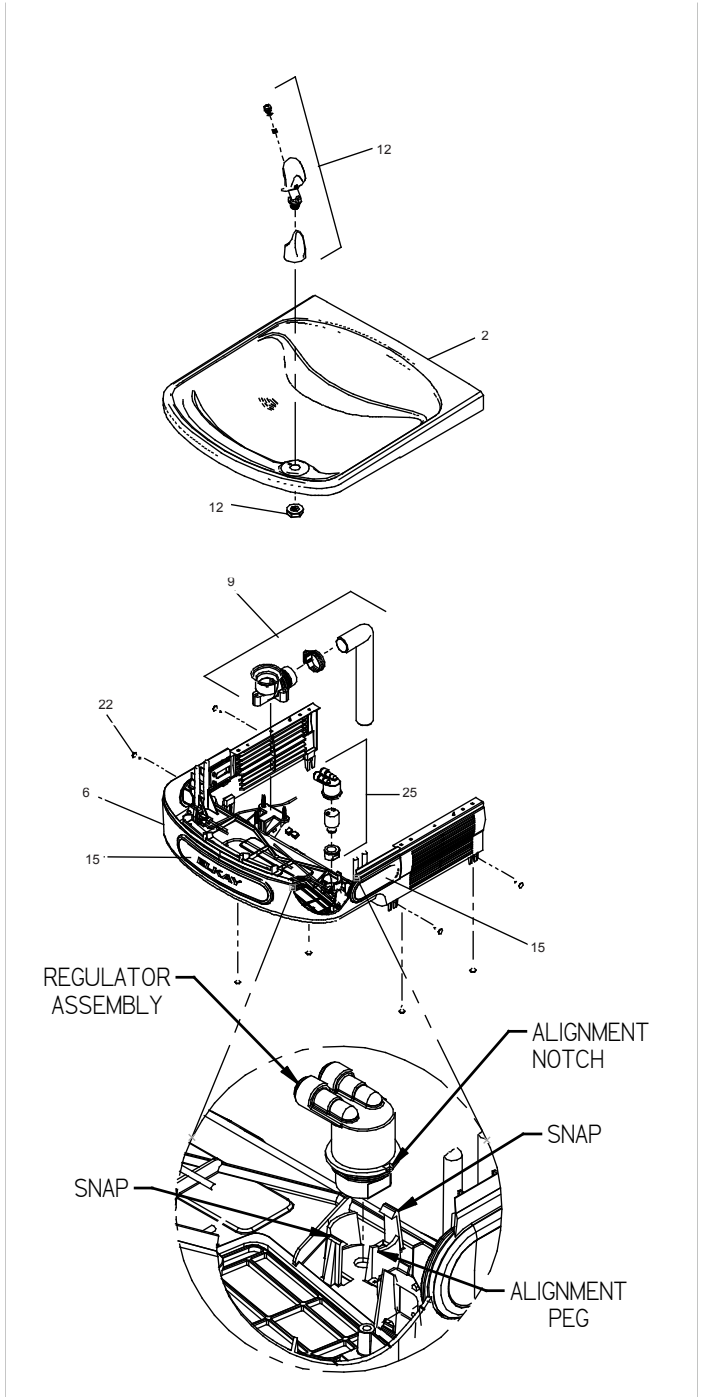
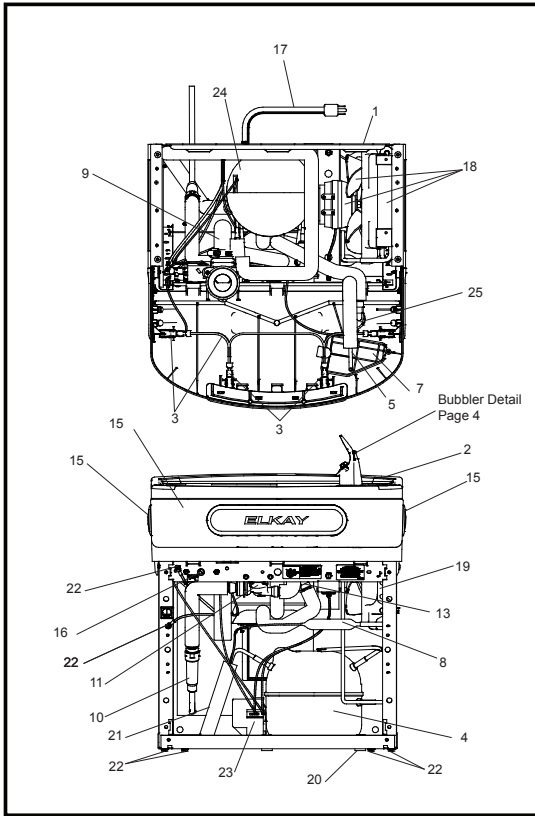
- Inspect Cooler twice each year for proper operation and performance.
  - Inspection of the unit will require disconnecting electrical supply, removal of panels, etc. and reassembly and return to service practices.
- Lower Front Panel and Upper Shroud:** To access the refrigeration system and plumbing connections, remove four (4) screws from bottom of cooler to remove the lower front shroud. To remove the upper shroud for access to the pushbars, regulator, solenoid valve or other components located in the top of the unit, remove lower shroud, disconnect drain, remove four screws from tabs along lower edge of upper shroud, unplug two wires and water tube.
  - Bubbler:** To remove the bubbler, first disconnect the electrical supply. The underside of the bubbler can be reached through the access panel on the underside of the upper shroud. Remove the access panel by removing the retaining screw. To remove the bubbler, loosen locknut from the underside of the bubbler and remove the tubing from the quick connect fitting (see above). When installing replacement bubbler and pedestal, tighten nut only to hold parts snug in position. Do Not Overtighten. After servicing, replace the lower front panel and four (4) screws.
  - Switches Behind the Push Bar:** The regulator in an EZ cooler is always held fully open by the use of a single regulator nut. Water is not dispensed until the pushbar is depressed to activate a switch which then opens a solenoid valve. When installing the regulator nut, the regulator spring must be depressed while turning the nut. To remove sidebars, from the inside compress the flared tabs and pull out careful. To reinstall side pushbars, the front of the pushbar is inserted first. While keeping the switch depressed, snap the rear of the pushbar into position.



## Replacement Parts: WaterSentry Filter Parts List

Item No.	Part No.	Description
1	51299C	Filter Assy-1,500 Gal.
2	98926C	Kit-Filter Head Fitting Includes John Guest Fittings
3	0000000746	Assy-Filter & Bracket includes Filter Head/Mounting Bracket/John Guest Fittings/Screws





**Replacement Parts: 230V Parts List**

ITEM NO.	PART NO.	DESCRIPTION
1	28401C	Hanger Bracket
2	55001109	Basin - Stainless Steel
3	36216C	Wiring - Front/Side Push Bar
*4	1000002147	Compr - Service Pak
5	56092C	Tubing - Poly (Cut To Length)
6	56229C	Assy - Shroud Upper (Front Side Push)
7	56213C	Access Panel
8	66703C	Drier
9	97970C	Kit - Drain Replacement (EZ)(Brkt/Tube/Ftg/Clamp)
10	55996C	In-Line Strainer
11	1000004575	Kit - Solenoid Valve/Regulator Assy
12	56073C	Kit - Bubbler Assy
13	1000001602	Kit - 75583C Elbow 5/16" x 1/4" (3 Pack)
14	97446C	Kit - Vandal Resistant Bubbler (VR)
15	98734C	Kit - Pushbar (Front/Side)
	1000001600	Kit - Pushbar (Front)
16	98773C	Kit - Cold Control/Screws
17	36066C	Power Cord
18	0000000245	Kit - Fan Motor Assy/Blade/Mtr/Shroud/Screws/Nut
19	98776C	Kit - Condenser/Drier
20	98777C	Kit- Compr Mtg Hdw/Grommets/Clips/Studs
21	98778C	Kit - Heatx/Drier
22	98898C	Kit - Hardware (EZ)
23	98751C	Kit - Elect/Overload/Relay/Cvr
24	98724C	Kit - Evaporator Assembly
25	1000004564	Kit - Regulator w/Holder & Nut
NS	35826C	Brkt - Power Inlet
NS	28030C	Inlet Power
NS	27413C	Wrapper - Light Grey
	27416C	Wrapper - Stainless Steel
-	See Filter Table	Water Filter Kit (When Provided)

NS = NOT SHOWN

\*Includes Relay & Overload. If under Warranty, replace with same Compressor used in original assembly.

NOTE: All correspondence pertaining to any of the above water cooler or orders for repair parts MUST include Model number and Serial number of cooler, name and part number of replacement part.

For Replacement Parts, contact your local distributor or call 1.800.834.4816

Elkay Manufacturing Co. 2222 Camden Court – Oak Brook, IL 60523 U.S.A – 630.574.8484 – www.elkay.com