

PRODUCT SPECIFICATIONS

Mounting Frame for Bi-level In-wall HRF SER/ESR Refrigerated Coolers. Made of Galvanized Steel.

Mounting Type:	Wall Mount (Inwall Frame/Plate)
Material:	Galvanized Steel
Finish:	Galvanized Steel
Shipping Weight:	27 lbs.

Special Note: Mounting frame included with Halsey Taylor HTHB(WF)-HRFSER, 8633088383, 8633082783, 8633082983, 8633083883, 8633084983 models.

- Two-station mounting frame enables installation of in-wall drinking water models
- Compatible with specific Halsey Taylor® refrigerated models; see specifications tab for details
- Mounting frame included with specific HRF models
- Secures directly to a variety of load-bearing surfaces
- Refer to end product for ADA compliance information
- Built in the USA

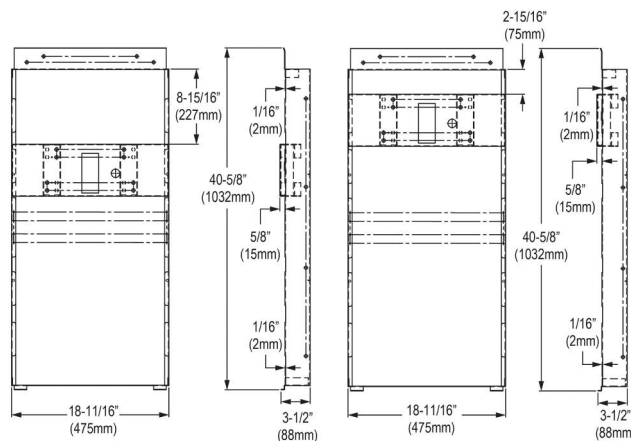


Included with Product: Mounting Frame Assembly

A Century of Tradition and Quality. For more than 100 years, Elkay has been making innovative products and providing exceptional customer care. We take pride in offering plumbing products that make life easier, inspire change and leave the world a better place.



[Installation Instructions \(PDF\) - 97153C](#)



PART: _____ QTY: _____

PROJECT: _____

CONTACT: _____

DATE: _____

NOTES: _____

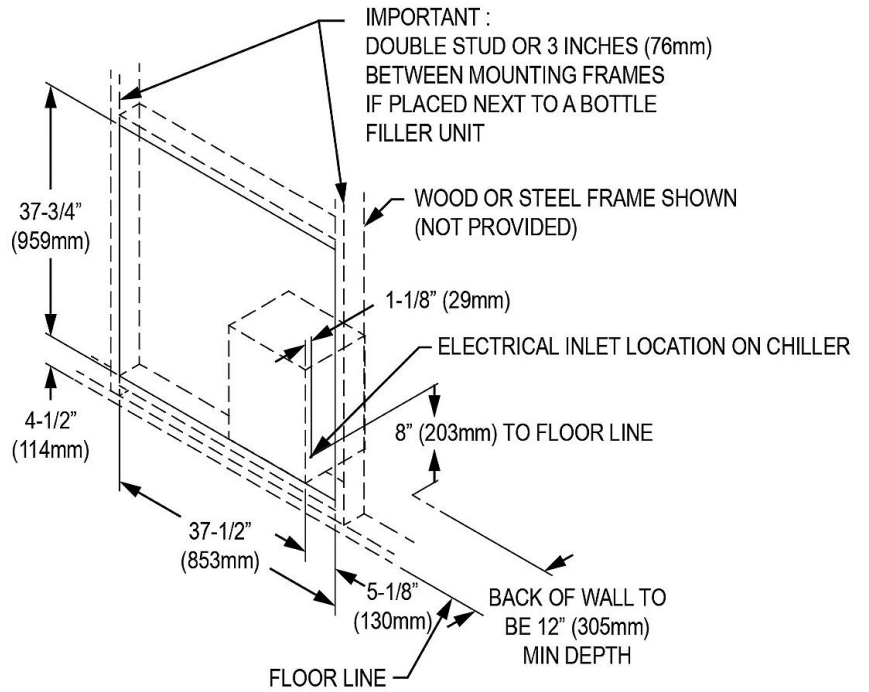
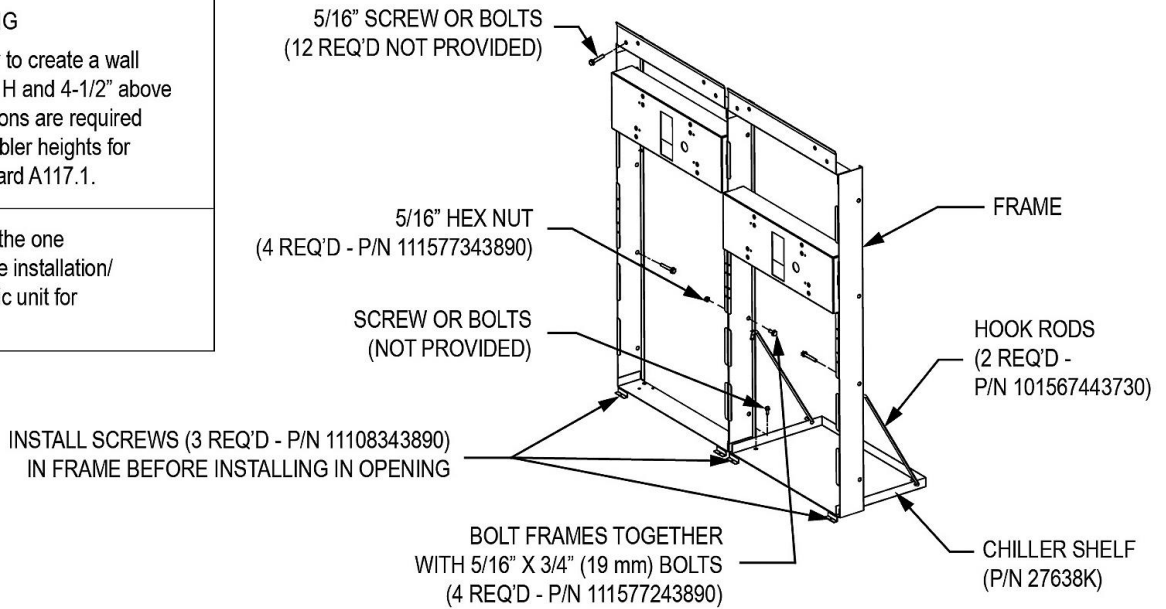
APPROVAL: _____

In keeping with our policy of continuing product improvement, Elkay reserves the right to change product specifications without notice. Please visit elkay.com for the most current version of Elkay product specification sheets. This specification describes an Elkay product with design, quality, and functional benefits to the user. When making a comparison of other producers' offerings, be certain these features are not overlooked.

WALL OPENING

IMPORTANT: It is necessary to create a wall opening 37-1/2" W x 37-3/4" H and 4-1/2" above the floor line. These dimensions are required to obtain proper rim and bubbler heights for compliance with ANSI standard A117.1.

Actual frame may vary from the one illustrated. Please refer to the installation/owners manual of the specific unit for additional information.



In keeping with our policy of continuing product improvement, Elkay reserves the right to change product specifications without notice. Please visit elkay.com for the most current version of Elkay product specification sheets. This specification describes an Elkay product with design, quality, and functional benefits to the user. When making a comparison of other producers' offerings, be certain these features are not overlooked.