

**PRODUCT SPECIFICATIONS**

3-1/2" Drain Fitting Type 304 Stainless Steel Body Strainer Basket with a Chrome-plated brass Tailpiece. Overall dimensions are 4-7/16" x 4-7/16" x 7-5/16". Made of Stainless Steel.

<b>Material:</b>	Stainless Steel
<b>Finish:</b>	Polished Stainless Steel
<b>Dimensions:</b>	4-7/16" x 4-7/16" x 7-5/16"
<b>Shipping Weight:</b>	1 lbs.

**Special Note:** Replacement strainer basket 72002160: \$10.00

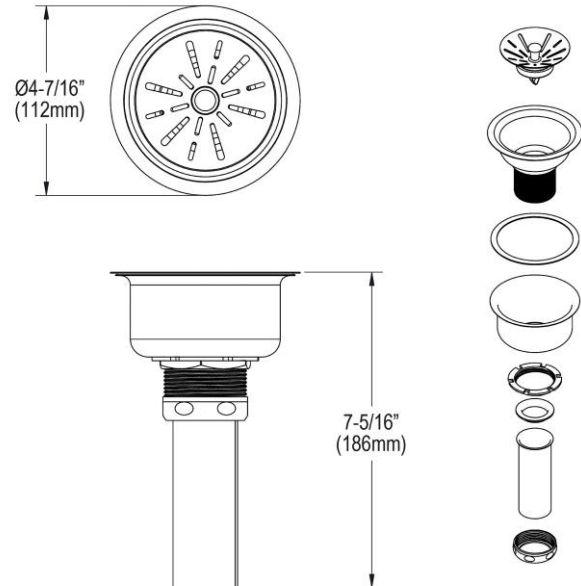
- Designed to fit 3-1/2" (89mm) drain opening with an overall flange size of 4-1/2" (114mm)
- 1-1/2" O.D. x 4" stainless steel tailpiece
- Conical strainer basket with metal stem and rubber seal
- STAINLESS STEEL CONSTRUCTION: Made of strong, Type 304 stainless steel for long-lasting durability that resists corrosion and rust
- POLISHED FINISH: Polished stainless steel finish adds sleekness and shimmer to any sink



A Century of Tradition and Quality.  
For more than 100 years, Elkay has been making innovative products and providing exceptional customer care. We take pride in offering plumbing products that make life easier, inspire change and leave the world a better place.

**Product Compliance:** ASME A112.18.2/CSA B125.2

- [Clean and Care Manual \(PDF\)](#)
- [Installation Instructions \(PDF\) - 100005235](#)
- [Warranty \(PDF\)](#)



PART: \_\_\_\_\_ QTY: \_\_\_\_\_  
 PROJECT: \_\_\_\_\_  
 CONTACT: \_\_\_\_\_  
 DATE: \_\_\_\_\_  
 NOTES: \_\_\_\_\_  
 APPROVAL: \_\_\_\_\_

*In keeping with our policy of continuing product improvement, Elkay reserves the right to change product specifications without notice. Please visit [elkay.com](http://elkay.com) for the most current version of Elkay product specification sheets. This specification describes an Elkay product with design, quality, and functional benefits to the user. When making a comparison of other producers' offerings, be certain these features are not overlooked.*