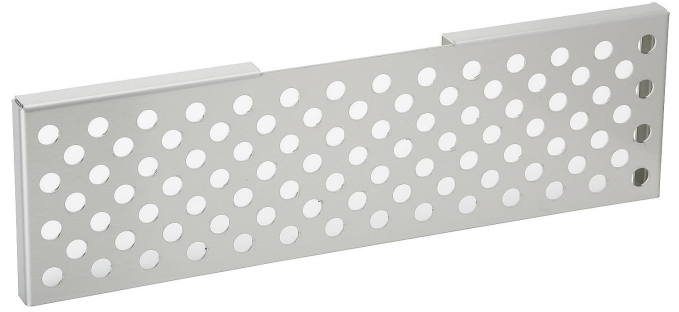


**PRODUCT SPECIFICATIONS**

Perforated Cover Plate Chrome Plated Brass. Overall dimensions are 16-11/16" x 13/16" x 5". Made of Chrome-plated Brass.

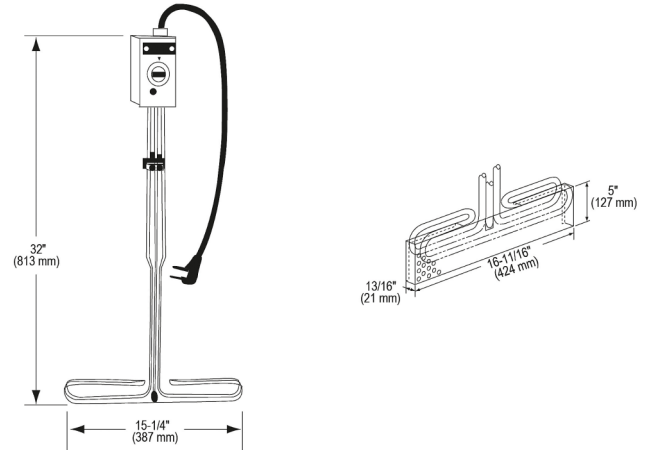
<b>Material:</b>	Chrome-plated Brass
<b>Dimensions:</b>	16-11/16" x 13/16" x 5"
<b>Shipping Weight:</b>	4 lbs.

- Stainless steel perforated baffle for the LK246
- Protects the electrodes from possible damage



**A Century of Tradition and Quality.**  
 For more than 100 years, Elkay has been making innovative products and providing exceptional customer care. We take pride in offering plumbing products that make life easier, inspire change and leave the world a better place.

[Clean and Care Manual \(PDF\)](#)  
[Warranty \(PDF\)](#)



PART: \_\_\_\_\_ QTY: \_\_\_\_\_

PROJECT: \_\_\_\_\_

CONTACT: \_\_\_\_\_

DATE: \_\_\_\_\_

NOTES: \_\_\_\_\_

APPROVAL: \_\_\_\_\_

*In keeping with our policy of continuing product improvement, Elkay reserves the right to change product specifications without notice. Please visit [elkay.com](http://elkay.com) for the most current version of Elkay product specification sheets. This specification describes an Elkay product with design, quality, and functional benefits to the user. When making a comparison of other producers' offerings, be certain these features are not overlooked.*