

PRODUCT SPECIFICATIONS

Commercial Service/ Utility Single Hole Wall Mount Faucet 1 pair
Chrome. Faucet has a flow rate of 2.5 GPM, and is made of
Chrome-plated Brass material, with a Brass Stem Assembly valve.
Faucet requires 2 faucet holes.

Mounting Type:	Wall Mount
Finish:	Chrome (CR)
Handle Type:	Cross Handle
Spout Reach:	3-3/16"
Spout Height:	4"
Hole Drillings:	2
Material:	Chrome-plated Brass
Valve Type:	Brass Stem Assembly
Valve Connection:	1/2" NPT Female Inlet
Flow Rate:	2.5 GPM
Faucet Hole Size (min):	1-3/8"
Spout Swing Rotation:	0°
Spout Type:	Fixed Spout



Chrome
(CR)



Included with Product: (1) LK69CP and (1) LK69CH

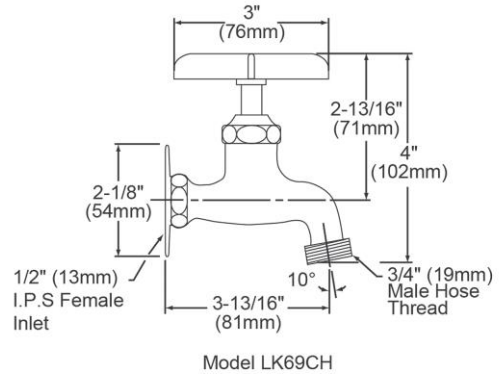
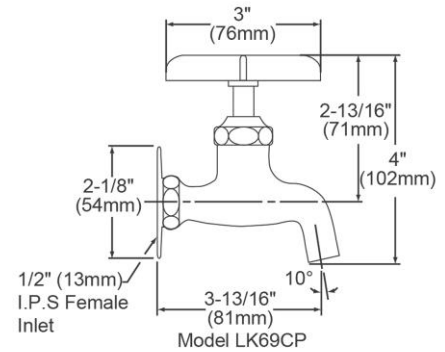
A Century of Tradition and Quality.

For more than 100 years, Elkay has been making innovative products and providing exceptional customer care. We take pride in offering plumbing products that make life easier, inspire change and leave the world a better place.

Product Compliance: ASME A112.18.1/CSA B125.1
NSF 372 (lead free)
NSF 61 (Q≤1)

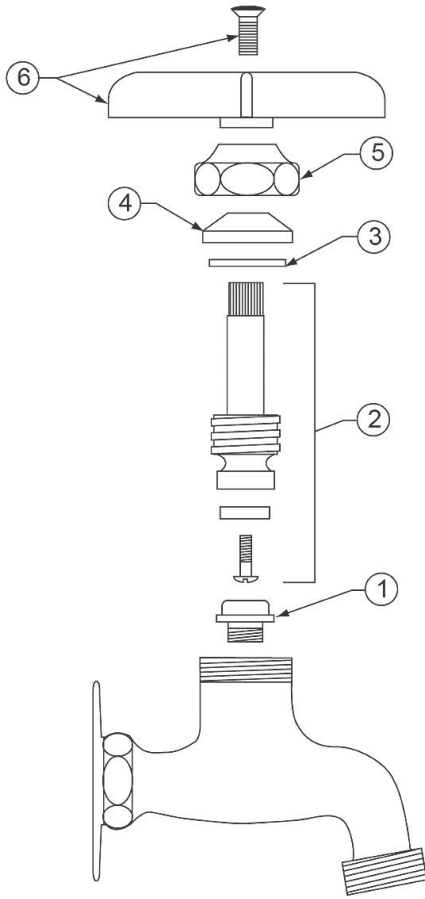


[Clean and Care Manual \(PDF\)](#)
[Warranty \(PDF\)](#)

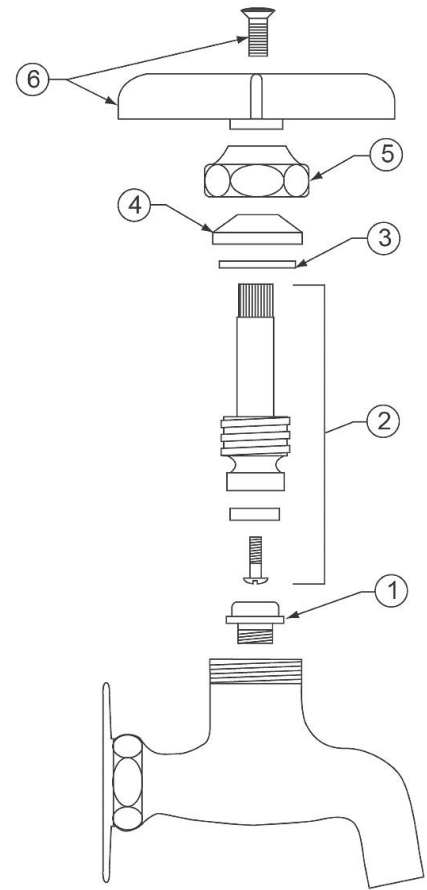


PART: _____ QTY: _____
PROJECT: _____
CONTACT: _____
DATE: _____
NOTES: _____
APPROVAL: _____

In keeping with our policy of continuing product improvement, Elkay reserves the right to change product specifications without notice. Please visit elkay.com for the most current version of Elkay product specification sheets. This specification describes an Elkay product with design, quality, and functional benefits to the user. When making a comparison of other producers' offerings, be certain these features are not overlooked.



LK69CH



LK69CP

Item No.	No. Required	Part No.	Description
1	1	72001862	Seat Brass
2	1	72001865	Brass Stem Assembly
3	1	72001866	Washer Brass
4	1	72001867	Packing
5	1	72001868	Cap Nut Brass
6	1	72001869	Handle Zinc with Screw

In keeping with our policy of continuing product improvement, Elkay reserves the right to change product specifications without notice. Please visit elkay.com for the most current version of Elkay product specification sheets. This specification describes an Elkay product with design, quality, and functional benefits to the user. When making a comparison of other producers' offerings, be certain these features are not overlooked.