

#### PRODUCT SPECIFICATIONS

Cane Apron for SwirlFlo<sup>®</sup> Gray. Overall dimensions are 2" x 16" x 7-15/16".

<b>Finish:</b>	Gray (GRY)
<b>Dimensions:</b>	2" x 16" x 7-15/16"
<b>Shipping Weight:</b>	3 lbs.

**Special Note:** For use with SwirlFlo models.

- Cane touch apron designed for use in specific bi-level applications when coolers or bottle fillers are installed on an exposed wall
- For use with SwirlFlo<sup>®</sup> models



**Included with Product:** Cane apron assembly

A Century of Tradition and Quality.

For more than 100 years, Elkay has been making innovative products and providing exceptional customer care. We take pride in offering plumbing products that make life easier, inspire change and leave the world a better place.



[Installation Instructions \(PDF\) - 98029C](#)  
[Warranty \(PDF\)](#)

PART: \_\_\_\_\_ QTY: \_\_\_\_\_

PROJECT: \_\_\_\_\_

CONTACT: \_\_\_\_\_

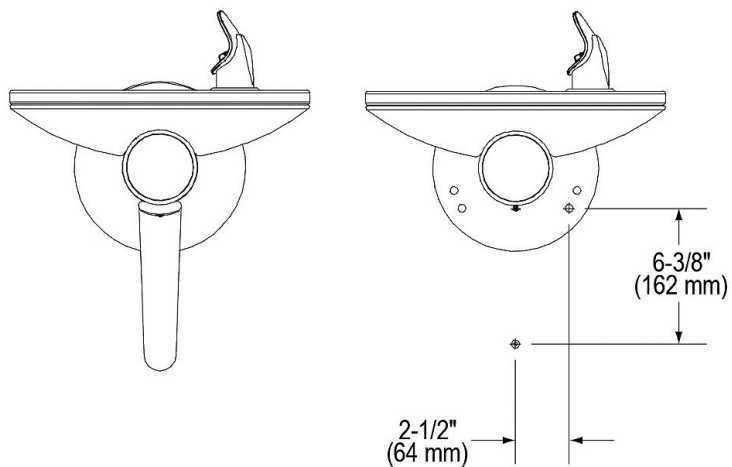
DATE: \_\_\_\_\_

NOTES: \_\_\_\_\_

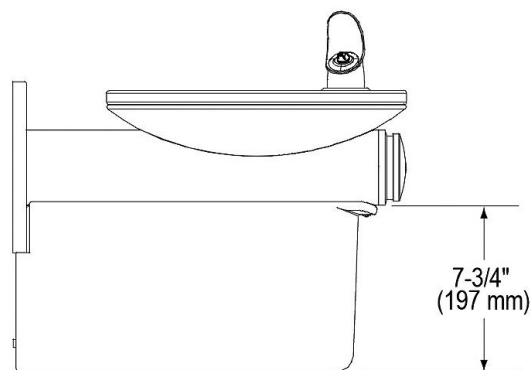
APPROVAL: \_\_\_\_\_

*In keeping with our policy of continuing product improvement, Elkay reserves the right to change product specifications without notice. Please visit [elkay.com](http://elkay.com) for the most current version of Elkay product specification sheets. This specification describes an Elkay product with design, quality, and functional benefits to the user. When making a comparison of other producers' offerings, be certain these features are not overlooked.*

FRONT VIEWS



SIDE VIEW



*In keeping with our policy of continuing product improvement, Elkay reserves the right to change product specifications without notice. Please visit [elkay.com](http://elkay.com) for the most current version of Elkay product specification sheets. This specification describes an Elkay product with design, quality, and functional benefits to the user. When making a comparison of other producers' offerings, be certain these features are not overlooked.*