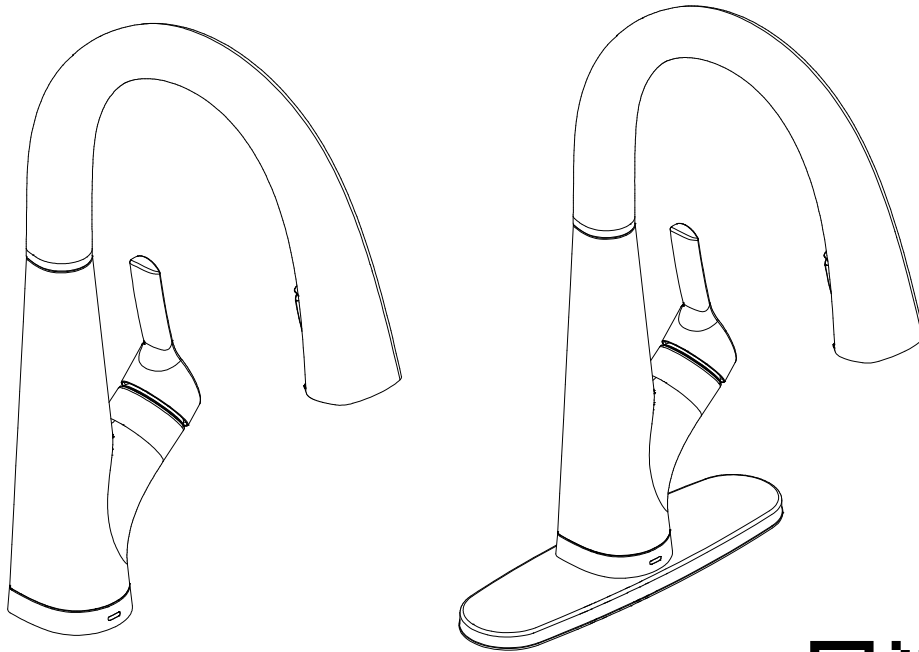


ELKAY[®]

INSTALLATION / OWNER'S MANUAL

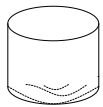
Avado 2-in-1 Filtered Kitchen Faucet

Model # LKAV7051F



Scan for Installation Video

RECOMMENDED TOOLS:



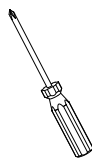
Bucket



Two "AA" batteries



Wrench



Screwdriver



Safety glasses



Electric drill

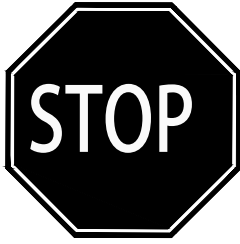


Measuring tape



Pencil

SAVE FOR CONSUMER



DO NOT RETURN TO STORE

**Please contact our Customer Service Team
800-476-4106 / CustCare@Elkay.com**

Have the model number available and retain a copy of your receipt with purchase date for reference.

If for any reason this product does not meet your expectations, please be sure to repack this product in the original box and packaging material to avoid damage during transit.

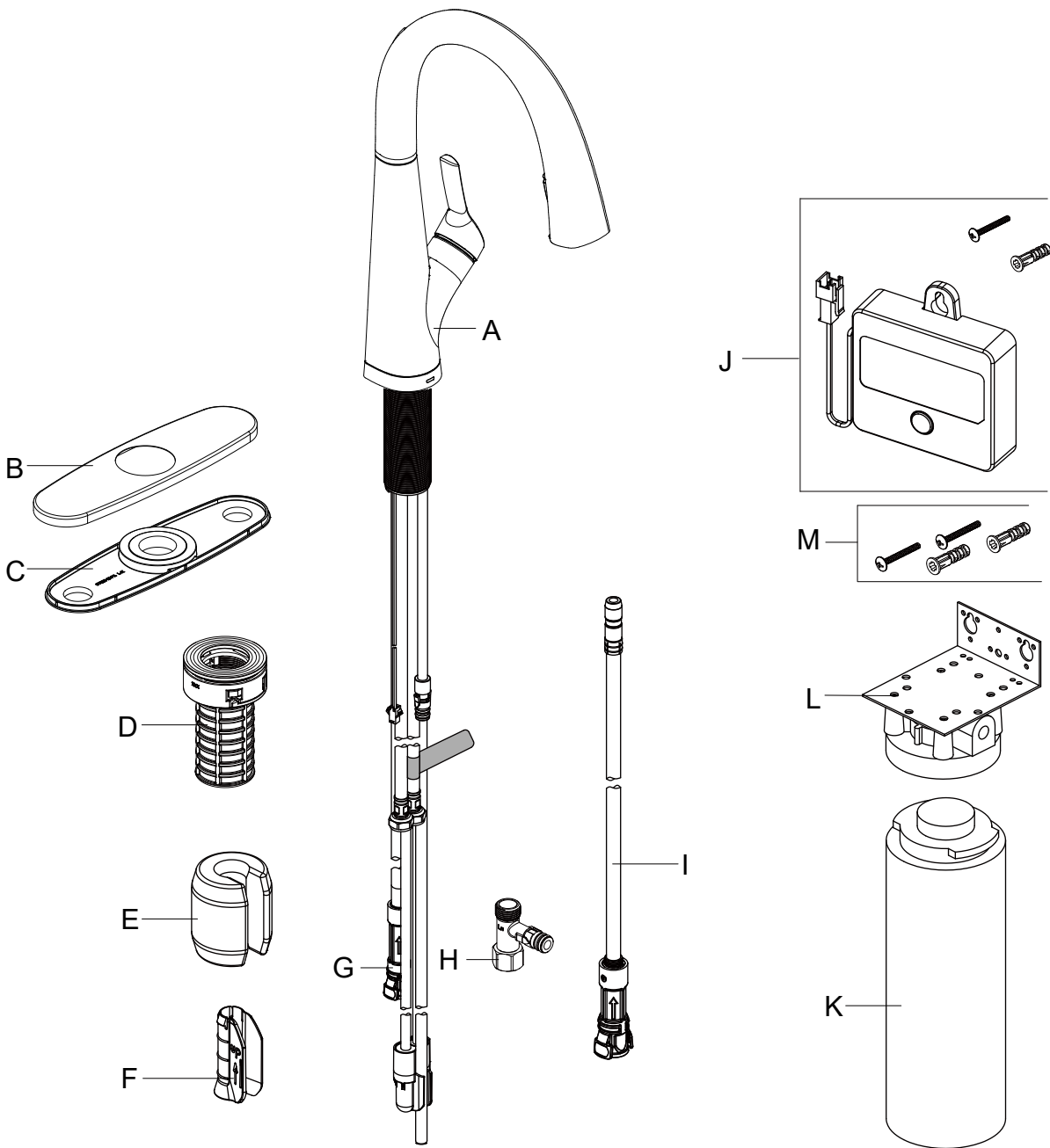


Prior to Installation:

- **Make sure you have all necessary parts by checking the diagram and parts list. If any part is missing or damaged, please contact ELKAY® Customer Service at 800-476-4106 for a replacement.**
- **Read all instructions and safety warnings and ensure you have all tools, parts, and equipment necessary for a safe installation.**
- **Turn off the hot and cold water supply at the angle stops and turn on the old faucet to release any built up pressure. Remove existing faucet.**
- **Pre-drilled hole size requirement: 1 3/8" (min)**
- **Max countertop thickness: 2 3/4"**

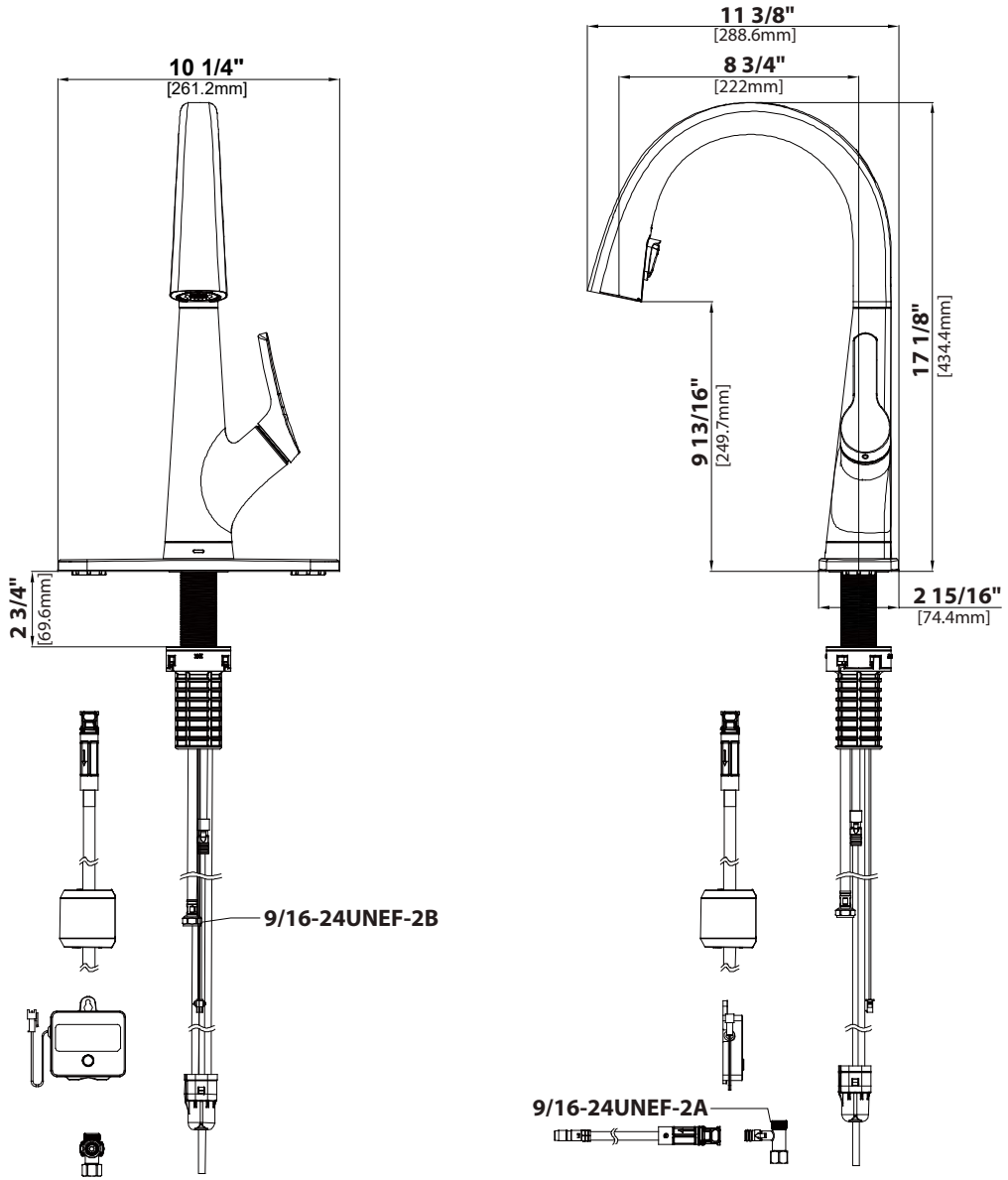
For technical assistance or replacement parts, please contact ELKAY Service and one of our representatives will be happy to help:
Toll-Free: 800-476-4106 or CustCare@Elkay.com

Diagram and Parts List



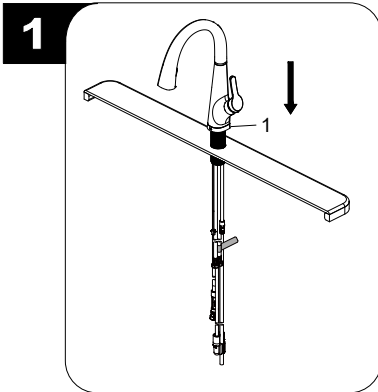
- | | |
|----------------------|-----------------------------|
| A. Faucet | G. Quick connector |
| B. Deck plate | H. Tee connector |
| C. Gasket | I. Hose |
| D. FastMount™ system | J. Electronic timing module |
| E. Weight | K. Filter |
| F. Weight clip | L. Filter head |
| | M. Mounting screws |

Faucet Dimensions

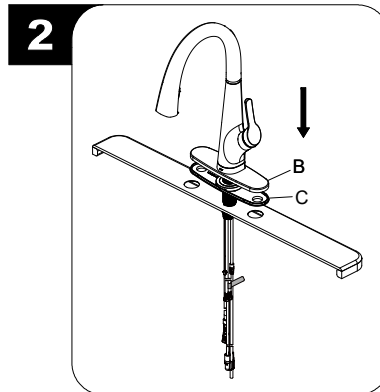


WARNING: Please carefully read and properly follow the instructions for installation found in this manual.

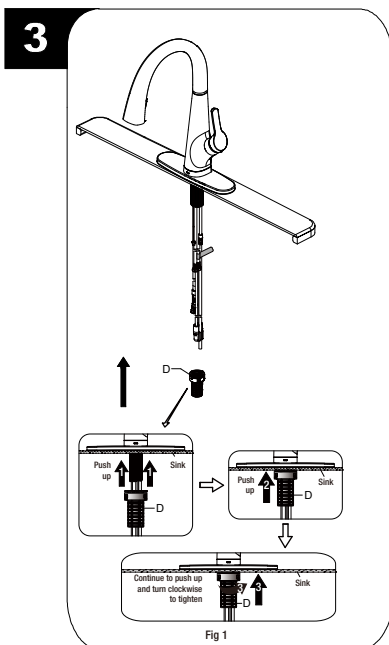
STEPS:



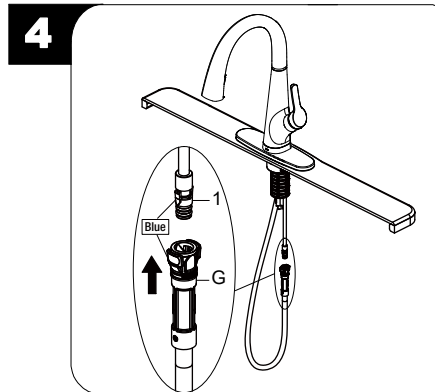
Optional Flange Installation:
Before installation, ensure that the flange (1) is placed on the bottom of the new faucet assembly. Insert the faucet body through the hole in the sink.



Optional Deck Plate Installation:
Before installation, align the hole in the gasket (C) and deck plate (B) with the mounting hole in the sink. Place the faucet assembly through the deck plate (B) and mounting hole in the sink until the faucet assembly sets on top of deck plate (B).



From underneath the sink, secure the faucet assembly to the sink with the FastMount™ system (D). Push the FastMount™ system (D) up over the threads until it stops against the bottom of the sink, then hand turn (clockwise) to tighten (Fig 1).

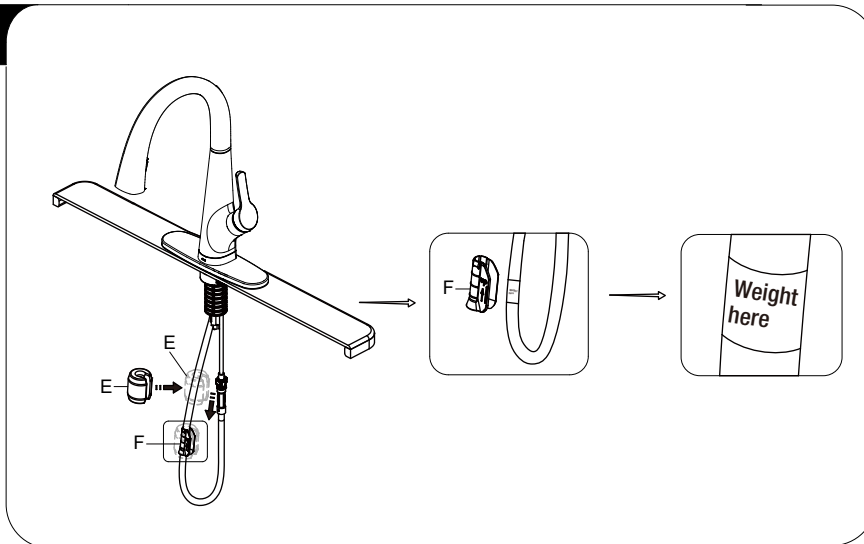


Push the quick connector (G) with the blue tab firmly upward and attach it to the receiving block (1) with blue tab. Pull down moderately to ensure the connection has been made. If it is necessary to remove the quick connector (G), squeeze the tabs on the quick connector (G) and then pull down to disconnect.

WARNING: Please carefully read and properly follow the instructions for installation found in this manual.

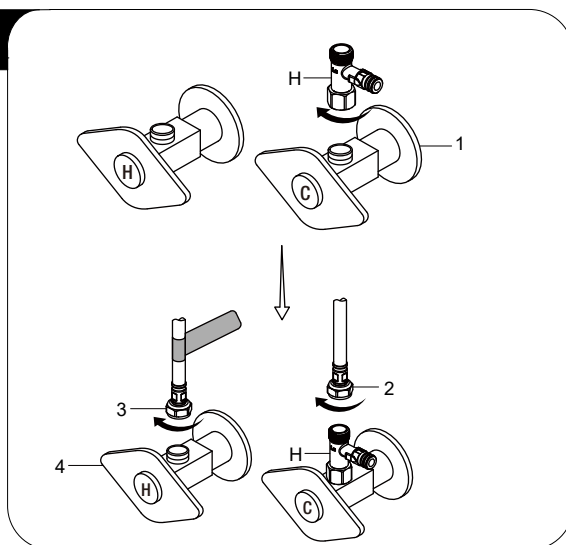
STEPS:

5



Install the weight clip (F) at the point of the hose marking "weight here".
Insert the weight (E) onto the clip (F) by sliding it down onto the clip (F).

6

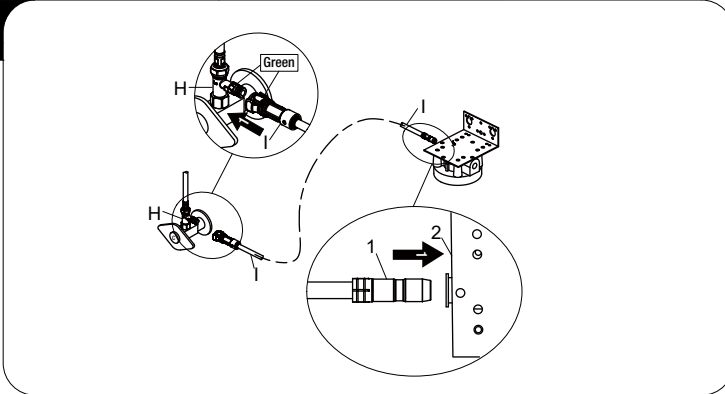


Attach the tee connector (H) onto the outlet of the cold water supply valve (1) and tighten with wrench. Do not overtighten. Thread the nut (2) on the cold supply line onto the tee connector (H) and tighten with wrench. Do not overtighten. Thread the nut (3) on the hot supply line onto the outlet of the hot water supply valve (4) and tighten with wrench. Do not overtighten.

WARNING: Please carefully read and properly follow the instructions for installation found in this manual.

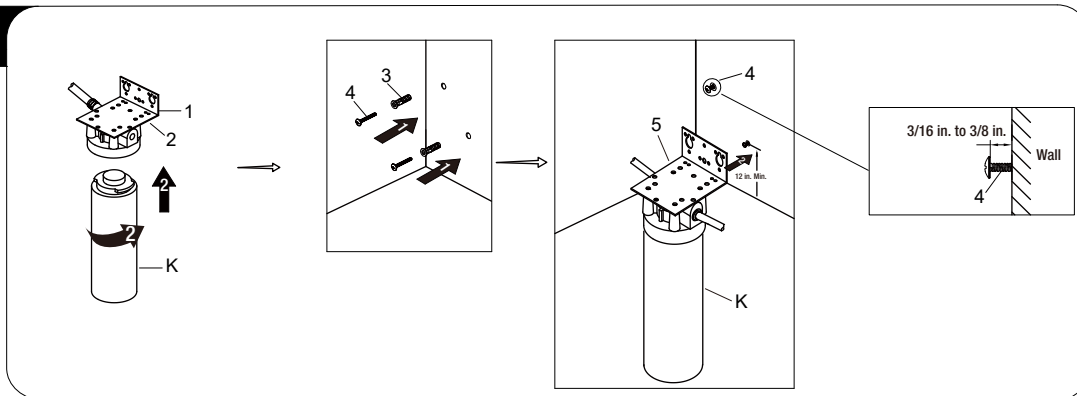
STEPS:

7



Connect the end of the hose (I) with the quick connector to the tee connector (H). Push the quick connector with the green tab on the hose (I) firmly upward and attach it to the receiving block with green on the tee connector (H). Pull moderately to ensure the connection has been made. If it is necessary to remove the quick connector, squeeze the tabs on the quick connector and then pull to disconnect. Connect the other end (1) with inlet indicated by the tag of the hose (I) into the end (2) with inlet indicated by the tag of the filtration manifold (3). Pull moderately to ensure the connection has been made.

8



Install the filter set (K) onto the filtration manifold (1). After the thread of the filter set (K) is completely screwed into the filtration manifold (1), it cannot be rotated manually. After connection is completed, turn on the cold water supply valve to flush the water line for ten minutes. This flushes out any harmless carbon fibers that may be present. Check for leaks. Place a bucket to catch the water during this flush around the end (2) with outlet indicated of the filtration manifold (1) and make sure the water does not overflow from the bucket. Turn off the cold water supply valve.

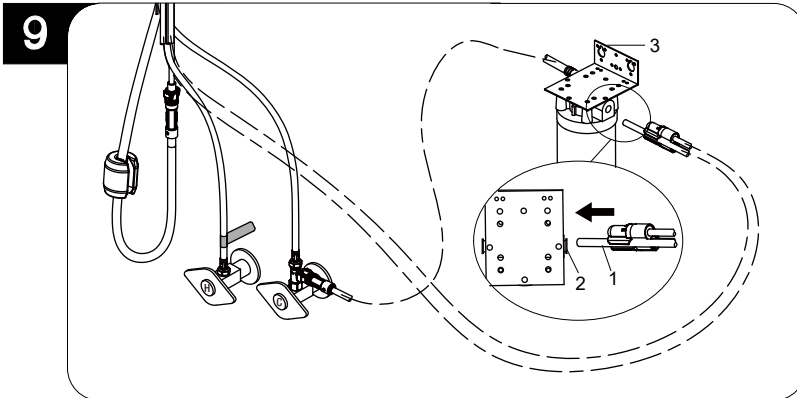
Before installation, select the location for the filtration manifold (5). The screws should be placed a minimum of 15 in. above the bottom of the floor where the filtration system is to be mounted. Any distance lower than 15 in. may result in the filter set (K) interfering with the floor when removing the filters for maintenance.

Use the filtration manifold (5) as a template to mark the screw hole locations where the screws are to be installed. Installing into drywall: Drill two 1/4 in. holes and insert the anchors (3) and screws (4).

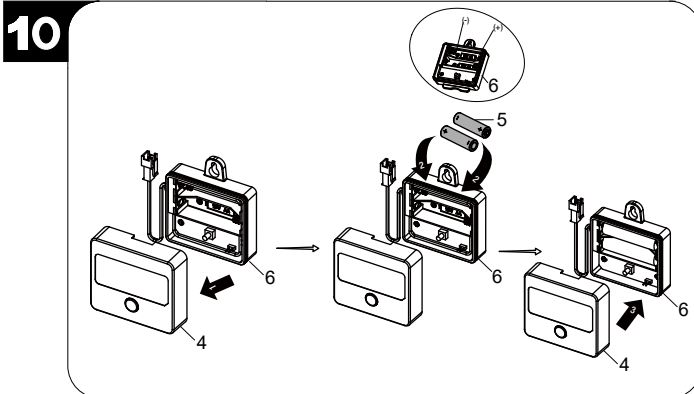
Installing into wood: Drill two 1/8 in. holes and insert the screws (4). Do not use anchors (3). Install screws into the wall, leaving 3/16 in. to 3/8 in. clearance between the head of the screw and wall. Hang the filtration manifold (5) on screws (4) and tighten until the filtration manifold (5) is held firmly.

WARNING: Please carefully read and properly follow the instructions for installation found in this manual.

STEPS:



Connect the end (1) with outlet indicated by the tag of the outlet hose into the end (2) with outlet indicated of the filtration manifold (3). Pull moderately to ensure the connection has been made.

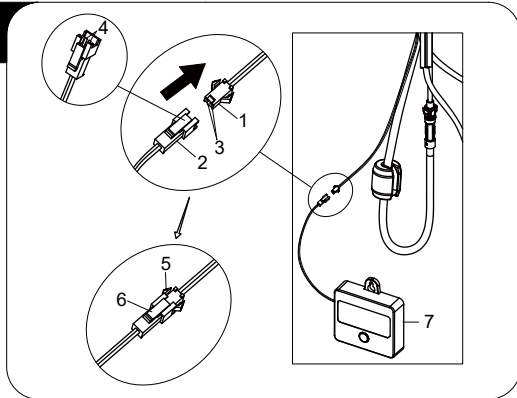


Open the timer cover (4). Install two AA batteries (5) (not included) by matching the positive (+) and Negative (-) ends on the battery (5) to the (+) and (-) markings in the timer (6). The negative ends of the battery (5) should always connect to the spring end of the battery slots in the timer (6). Reinstall the timer cover (4) by covering into place.
NOTE: Use only AA Alkaline batteries. Identify the Anode (+) and the Cathode (-) to install the batteries properly. To avoid battery damage: Do not recharge or disassemble batteries; Do not mix old batteries with new batteries; Do not use carbon batteries; Do not expose batteries to extreme heat. Do not mix alkaline, standard (carbon-zinc), or rechargeable (ni-cad, ni-mh, etc) batteries.

WARNING: Please carefully read and properly follow the instructions for installation found in this manual.

STEPS:

11

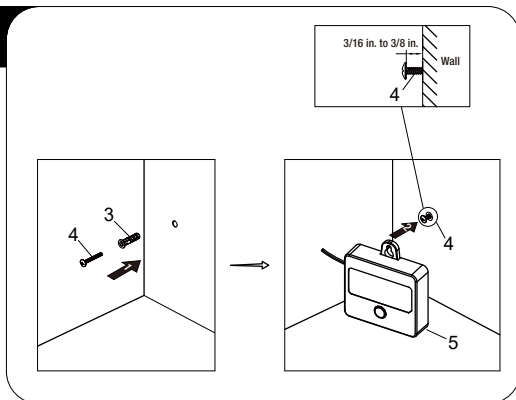


Install the sensor cable (1) to the connection (2) of the timer (7). Ensure the holes (3) on the sensor cable (1) and the pins (4) on the timer (7) are aligned to one another to ensure proper installation. Ensure they are tightly connected by firmly pushing together. If it is necessary to remove the timer (7), squeeze the tabs (5 & 6) on the sensor cable (1) and timer (7) at the same time.

NOTE: After batteries are installed in step #10, if the connections are made properly, the base of the control valve will flash red for 2 seconds and flash for 3 times, the timer (7) will work. If the connections are not made properly, the timer (7) will not work.

NOTE: The base of the control valve will flash red when its time to change filters and batteries. When the red light gradually flickers in a fading pattern, 1 year has passed and it is time to replace the filters and the timer batteries, then press reset button for 5 seconds to reset timer.

12



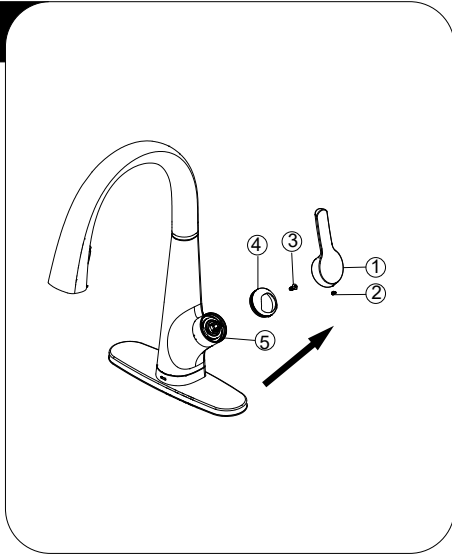
Before installation, select the location for the timer (5). Use the timer (5) as a template to mark the screw hole locations where the screws are to be installed. Installing into drywall: Drill two 1/4 in. holes and insert the anchors (3) and screws (4). Installing into wood: Drill two 1/8 in. holes and insert the screws (4). Do not use anchors (3). Install screws into the wall, leaving 3/16 in. to 3/8 in. clearance between the head of the screw and wall. Hang the timer (5) on screws (4) and tighten until the timer (5) is held firmly.

13

Turn on the water supply valves. Run the water and check for leaks. Retighten any connections if necessary, but do not overtighten.

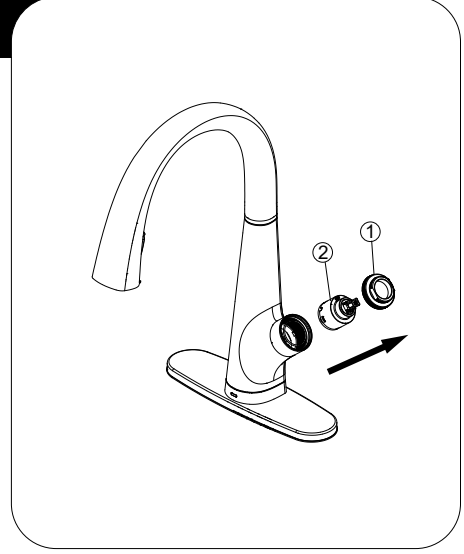
CARTRIDGE REPLACEMENT

1



Shut off water supply. With valves in "closed" position, loosen the set screw (2) from handle (1) and remove handle (1) from faucet. Loosen the screw (3) and unscrew the cap (4) from the cartridge nut (5).

2

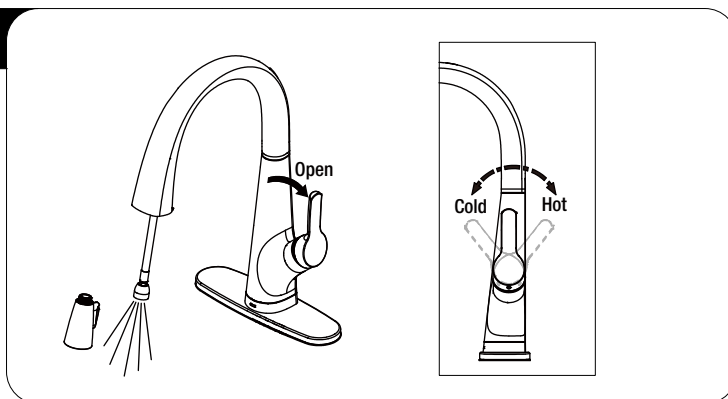


Loosen cartridge nut (1) by turning it counter-clockwise and lift out the cartridge (2). Insert new cartridge. Reinstall the handle.

TROUBLESHOOTING

Problem 1: Flushing and checking for leaks

1



Pull the hose assembly out of the spout and remove the spray head by unscrewing it from the hose in a counterclockwise direction. Be sure to hold the end of the hose down into the sink and turn the faucet to the warm position where it mixes hot and cold water.

Pulling the handle towards yourself will turn the water to cold. Pushing the handle away from yourself will turn the water to hot.

Flush the water lines for one minute. This flushes away any debris that could cause damage to internal parts. Check for leaks.

Problem 2: Filtered cold water mode.

1

Fig 1

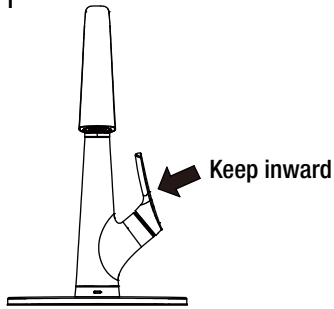
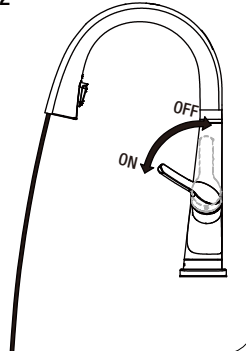


Fig 2



Make sure the the faucet is closed and do not open the handle outward, as shown in the Fig 1. Maintain the state of the Fig 1, pulling the handle towards yourself will activate the filtered water, as shown in the Fig 2.

Flush the water lines for one minute. This flushes away any debris that could cause damage to internal parts. Check for leaks. Allow the filter system to run for 11 gallons (or 10 minutes) to flush out any harmless carbon fines that may be present.

Maintain the state of the Fig 1, pushing the handle away from yourself will turn off the filtered water, as shown in the Fig 2.

CARE AND CLEANING INSTRUCTIONS

Congratulations on your purchase of an Elkay product. Although your product is extremely durable, attention should be given to the care, cleaning and maintenance of this product. Cleaning agents and abrasives may cause damage, which may result in oxidation and discoloration.

By following these simple guidelines for proper care and cleaning, it will give you years of enjoyment:

TO CLEAN: Simply wipe gently with a damp cloth and blot dry with a soft towel. A common rule of thumb is: when you dry off, dry off your product.

- Avoid build-up of soap, toothpaste or mineral deposits, as these tend to have an adverse effect on the appearance of the product.
- NEVER use cleaning products of any kind on this product - especially those containing ammonia, bleach or alcohol - or those with any form of abrasive.

FOR CARE AND MAINTENANCE:

- The water in certain areas of the world can be very caustic - standing water around the product can cause damage. Be sure to remove standing water with a dry, soft cloth as soon as possible.

Failure to follow care and cleaning will void your warranty. For additional information, please visit elkayusa.com

WARRANTY

ELKAY LIMITED LIFETIME WARRANTY

ELKAY LIMITED LIFETIME WARRANTY

Elkay warrants that all parts and finishes of the Elkay Residential brand faucets are free from defects in materials and workmanship for the life of the product, if purchased after 1996. This warranty covers the original consumer purchaser of the product only.

If the product should leak or drip during normal use, Elkay will provide, free of charge, a replacement cartridge. For other defects in material or workmanship, Elkay will, at its option, supply replacement parts (or if no longer available a comparable product). Elkay reserves the right to examine product in question and its installation prior to replacement.

What is not covered:

1. Damage caused by accident, negligence, misuse, abuse, improper installation or operation or failure to follow care or installation instructions enclosed with your product.
2. Damage occurring during shipment of the product (claims must be presented to the carrier).
3. Normal wear and tear.
4. Labor charges, costs of removal and reinstallation, and any damages to other property.
5. All industrial, commercial and business use whose purchasers are hereby extended a limited lifetime on mechanical parts and 5 years on finish.

What you must do to obtain warranty service:

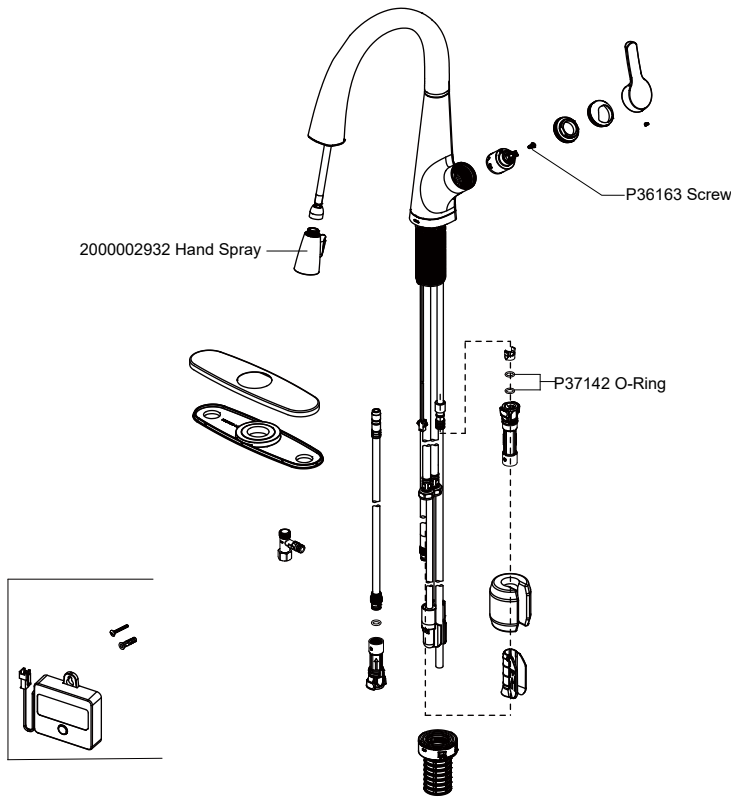
Either write to Elkay Manufacturing Company, attention Consumer Care, 1333 Butterfield Road, Suite 200 Downers Grove, Illinois 60515 or call 1-800-223-5529. Please provide date of purchase and installation, description of nature of the defect, and model number or description of model and/or component part.

THIS LIMITED WARRANTY IS EXPRESSLY IN LIEU OF ANY OTHER WARRANTIES, EXPRESSED IMPLIED, ARISING BY LAW OR OTHERWISE, INCLUDING WITHOUT LIMITATION, ANY IMPLIED WARRANTY OF MERCHANTABILITY OR FITNESS FOR A PARTICULAR PURPOSE. THIS LIMITED WARRANTY MAY NOT BE ALTERED, VARIED, OR EXTENDED, EXCEPT BY A WRITTEN INSTRUMENT EXECUTED BY ELKAY. THE REMEDY OF REPAIR OR REPLACEMENT AS PROVIDED UNDER THIS LIMITED WARRANTY IS EXCLUSIVE. IN NO EVENT SHALL THE MANUFACTURER BE LIABLE FOR ANY CONSEQUENTIAL OR INCIDENTAL DAMAGES TO ANY PERSON, WHETHER OR NOT OCCASIONED BY NEGLIGENCE OF ELKAY, INCLUDING WITHOUT LIMITATION DAMAGES FOR LOSS OF USE, COSTS PROPERTY DAMAGE OR OTHER MONETARY LOSS.

Some states do not allow the exclusion or limitation of incidental or consequential damages or limitations on how long an implied warranty lasts, so the above limitations or exclusions may not apply. This warranty gives you specific legal rights and you may also have other rights which vary from state to state.

This warranty covers product installed in the United States and Canada.

REPLACEMENT PARTS



Scan here for filter
replacements: 71300C Filter

Elkay

elkayusa.com

©2025 Elkay
Model # LKAV7051F
Rev.C date: 10/2025