

IMPORTANT END USER INFORMATION

Care and Cleaning Instructions

- 1) Never use any cleaner or cleanser based cleaning material on this product.
- 2) Keep the faucet dry! While drying your hands, dry faucet as well. The water in certain parts of the world can be very caustic. Any standing water around the faucet could damage the intrinsic coating, remove it as soon as possible.

Discover why the professional's choice for sinks and faucets is also the right choice to take care of all your home's stainless surfaces and accessories. Visit www.byelkay.com for more information or for a complete list of all domestic showrooms in your area visit www.elkay.com, where to buy.

ELKAY LIMITED FIVE YEAR FAUCET WARRANTY ON COMMERCIAL FAUCETS

Limited Five Year Functional and Finish Warranty

Elkay warrants to the original consumer purchaser that the Elkay faucet will be free from defects and material and workmanship for Five Years from the original installation date. Elkay will, at its option, supply replacement parts (or if no longer available a comparable product) if the faucet fails due to a defect in material or workmanship. This warranty does not apply in the event of produce surface damage caused by abuse, misuse or improper care and maintenance. This warranty excludes damage caused by harsh or abrasive cleaners and/or materials. This warranty includes all industrial, commercial and business use. Products replacement does not include transportation cost or labor installation cost. Elkay reserves the right to examine product in question and its installation prior to replacement.

OTHER WARRANTY CONDITIONS ON FAUCETS

Our warranty does not cover product failure or damage caused by abusive treatment, misuse, environmental factors, improper care and cleaning, or damage due to handling or faulty installations. This warranty is extended only to the original consumer purchaser of the product. This warranty does not cover shipping cost, labor cost, or any other charges for such items as installations or replacement of the sink, diagnosis or replacement of any faucet or component part, or any other expense or loss.

ALL INCIDENTAL OR CONSEQUENTIAL DAMAGES ARE SPECIFICALLY EXCLUDED. NO ADDITIONAL WARRANTIES, EXPRESS OR IMPLIED ARE GIVEN. ANY IMPLIED WARRANTY, INCLUDING ONE OF MERCHANTABILITY OR FITNESS FOR A PARTICULAR PURPOSE, IS LIMITED TO THE DURATION OF THIS WRITTEN WARRANTY.

Some states do not allow the exclusion or limitation of incidental or consequential damages or limitations on how long an implied warranty lasts, so the above limitations or exclusions may not apply to you.

This warranty gives you specific legal rights, and you may also have other rights which vary from state to state.

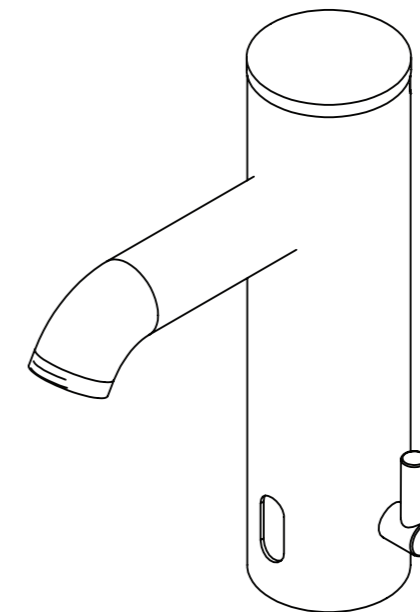
TO OBTAIN SERVICE UNDER WARRANTY

1. Write to:
Elkay
Attention: Consumer Services
1333 Butterfield Road, Suite 200
Downers Grove, IL 60515
2. Include a letter containing the following information:
 - a. Date of purchase and installation
 - b. Proof of Purchase (copy of original dated invoice)
 - c. Description of nature of defect
 - d. Model number or description of model and/or component part if possible.

ELKAY[®]
commercial
products

Installation Instructions for:

Elkay Electronic Sensor Activated Deck Mounted Lavatory Faucet LKB738C (Battery / AC powered)



Product Specifications

Power: (a) DC - Alkaline AA Batteries (4); (b) AC/DC alternatively
Water Supply pipe size: NPSM 1/2-14
Working Pressure: 2.8 - 213 psi
Ambient Temp. Range: 36°F - 194°F
Sensing Distance: 7/8" - 6-3/4"
Sensing Range Setup: Digital
Response Time: Default 0.3 sec
Off Delay Time: Default 1 sec
Fresh Battery Life Cycle 400,000
Weak Power indicator: Steady Red LED

Sensor Range Setup (Default sensor range is preset at 5-1/2")

NOTE - Do not attempt to take apart faucet to adjust sensing range. Please read the operational instructions carefully before installation.

1. Switch off the cold and hot water fittings. Place the supplied magnet (H) to the left side of the sensor eye and move it closer to the center of the sensor eye and remain for 3-5 seconds. The sensor eye will blink on for setup mode.
2. Remove the magnet. The sensor eye will blink off. Move your hand back and forward slowly to and from the sensor eye. This will activate the scanning process for the sensor eye. Place your hand to the desired range away from the sensor. Place the magnet to left side of the sensor eye and move it closer to the center of the sensor eye and hold it for 5 seconds. The sensor eye will flash a few times. Remove your hand. The new sensor range will be input to the memory system. It's ready to function. (The recommended sensor range is 1/2" before the spout.)
3. Switch on the hot and cold water fittings. Move your hand into the distance setting range to activate the sensor and the indicator will flash once. At the same time water begins to flow. Retract your hand off the sensing range of the sensor and the water will stop. If water delays to stop over 2 seconds after your hand is off the sensing range, please reset the sensor by shortening the sensing distance. After doing so the water stop time will be within 1 second.

