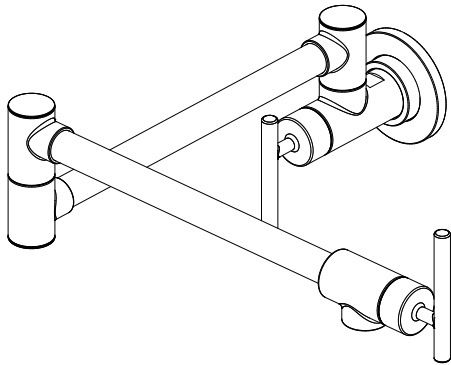
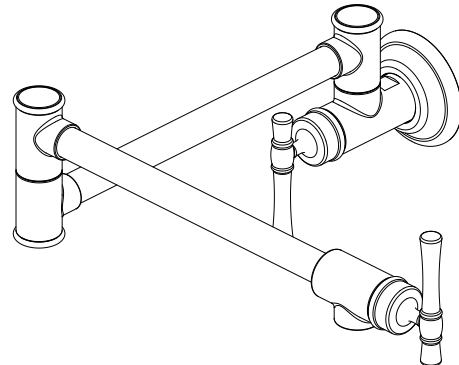


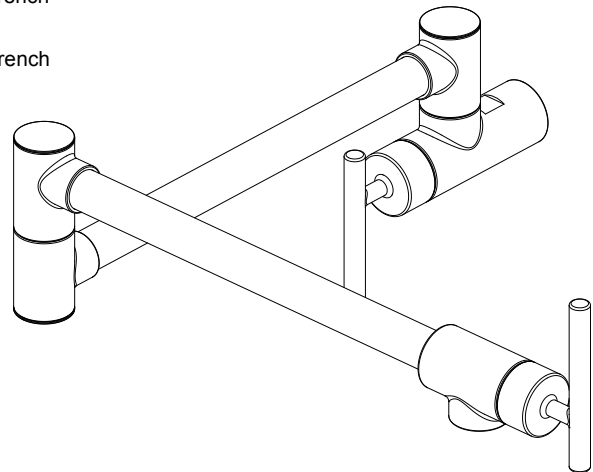
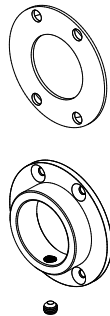
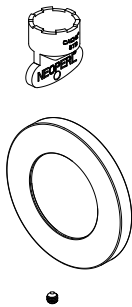
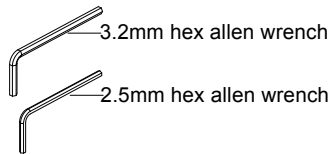
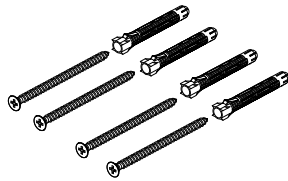
LKAV4091



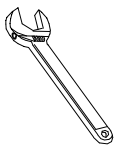
LKEC2091



**INCLUDES:**



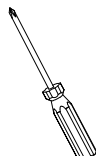
**RECOMMENDED TOOLS:**



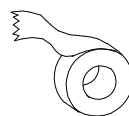
Wrench



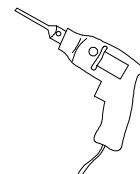
Pencil



Screwdriver



Sealant Tape

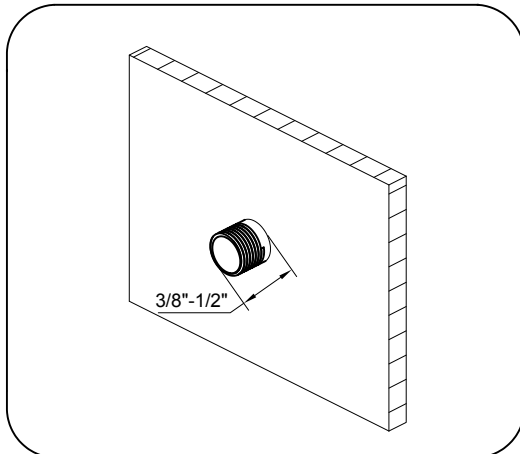


Drill

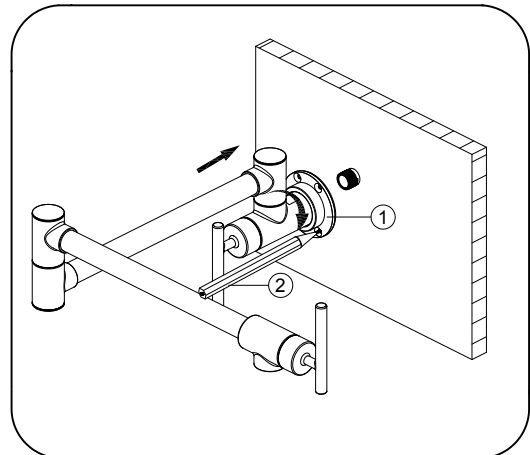
**SAVE FOR CONSUMER**

**WARNING: Please carefully read and properly follow the instructions for installation found in this manual.**

## STEPS:

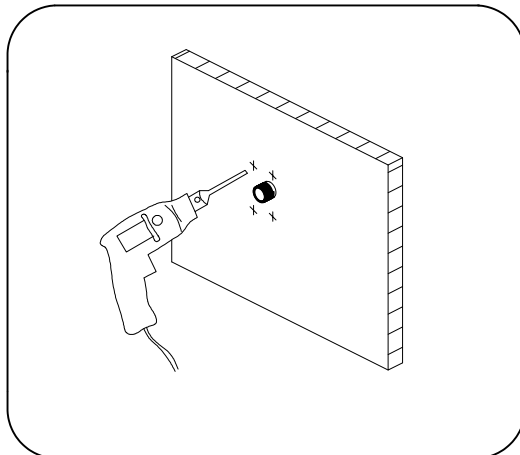


1. Shut off water supplies. Install the supply piping so that the 1/2" threaded connection protrudes approximately 1/2" beyond the finished wall.

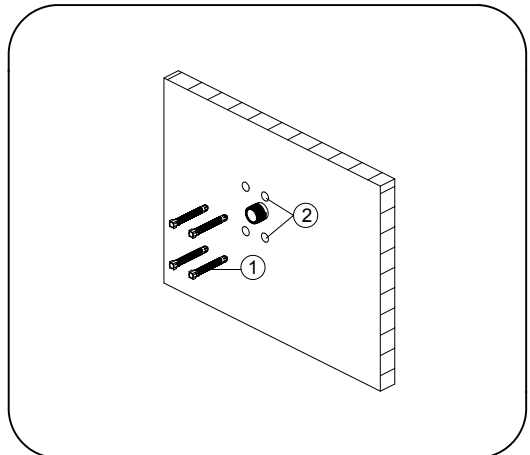


2. Install the mounting bracket (1) onto the finished wall. Screw the faucet onto the supply tubing and mark the locations for the support screws with a pencil (2).

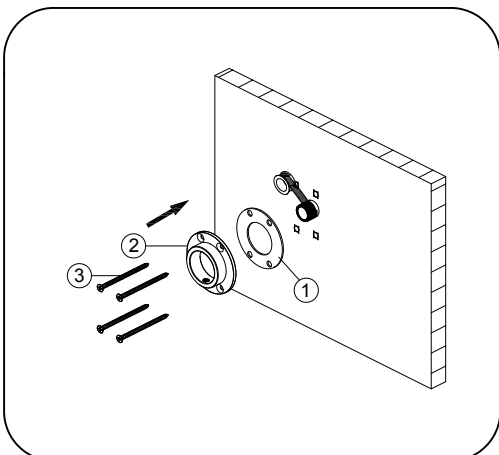
**Caution: When marking the location for the mounting bracket screws, be sure that the screws will not interfere with or come in contact with water will not supply piping that is concealed behind the wall.**



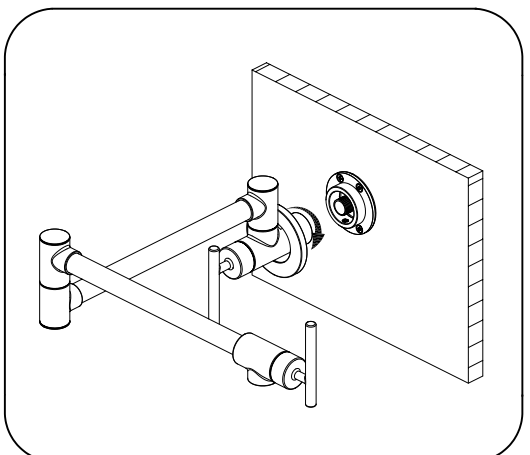
3. Remove the faucet and drill four holes on the positions marked in step 3.



4. Insert anchors (1) into holes (2) and tap flush with wall.



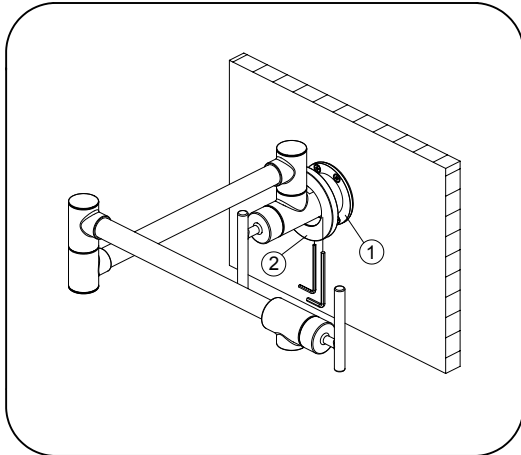
5. Wrap thread sealant tape around the threads of the supply pipe. Install the gasket (1) and the mounting bracket (2) using the 4 screws (3) provided.



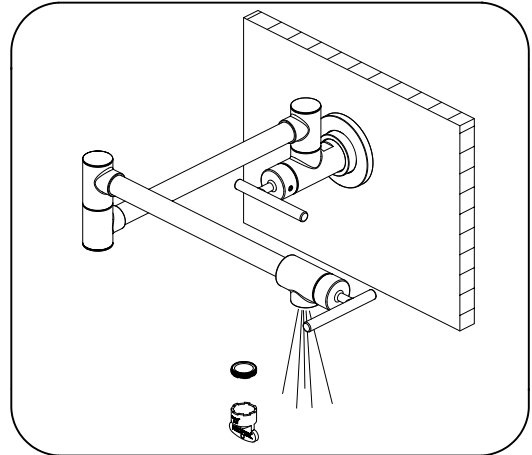
6. Place flange (1) onto the faucet as shown. Thread faucet onto pipe. Use cloth to protect finish. Tighten securely, but do not overtighten.

**WARNING: Please carefully read and properly follow the instructions for installation found in this manual.**

## **STEPS:**



7. Tighten set screw in mounting bracket (1). Slide flange (2) over the mounting bracket and tighten set screw.



8. Turn on water supply in preparation to water test the faucet. Remove aerator with plastic wrench and turn on faucet for approximately two minutes to flush any debris from the water line. Run water into a large pan or bucket. Replace aerator and clean faucet with warm water and a soft cotton towel.

## **CARE AND CLEANING INSTRUCTIONS**

Congratulations on your purchase of an Elkay product. Although your product is extremely durable, attention should be given to the care, cleaning and maintenance of this product. Cleaning agents and abrasives may cause damage, which may result in oxidation and discoloration.

By following these simple guidelines for proper care and cleaning, it will give you years of enjoyment:

**TO CLEAN:** Simply wipe gently with a damp cloth and blot dry with a soft towel.

- Avoid build-up of soap, or mineral deposits, as these tend to have an adverse effect on the appearance of the product.
- NEVER use cleaning products of any kind on this product - especially those containing ammonia, bleach or alcohol - or those with any form of abrasive.
- Failure to follow care and cleaning will void your warranty.

For additional information, please visit [elkayusa.com](http://elkayusa.com).

# WARRANTY

## ELKAY LIMITED LIFETIME WARRANTY

### LIMITED LIFETIME WARRANTY

Elkay warrants that all parts and finishes of its Elkay Residential brand faucets are free from defects in materials and workmanship for the life of the product, if purchased after 1996. This warranty extends to the original consumer purchaser of the product only.

If the product should leak or drip during normal use, Elkay will provide, free of charge, a replacement cartridge. For other defects in material or workmanship, Elkay will, at its option, supply replacement parts (or if no longer available a comparable product). Elkay reserves the right to examine product in question and its installation prior to replacement.

### What is not covered:

1. Damage caused by accident, negligence, misuse, abuse, improper installation or operation or failure to follow care or installation instructions enclosed with your product.
2. Damage occurring during shipment of the product (claims must be presented to the carrier).
3. Normal wear and tear.
4. Labor charges, costs of removal and reinstallation, and any damages to other property.
5. All industrial, commercial and business use whose purchasers are hereby extended a limited lifetime on mechanical parts and 5 years on finish.

### What you must do to obtain warranty service:

Either write to Elkay, attention Customer Care, 1333 Butterfield Road, Suite 200, Downers Grove, IL 60515 or call 1-800-223-5529. Please provide date of purchase and installation, description of nature of the defect, and model number or description of model and /or component part.

THIS LIMITED WARRANTY IS EXPRESSLY IN LIEU OF ANY OTHER WARRANTIES, EXPRESSED IMPLIED, ARISING BY LAW OR OTHERWISE, INCLUDING WITHOUT LIMITATION, ANY IMPLIED WARRANTY OF MERCHANTABILITY OR FITNESS FOR A PARTICULAR PURPOSE. THIS LIMITED WARRANTY MAY NOT BE ALTERED, VARIED, OR EXTENDED, EXCEPT BY A WRITTEN INSTRUMENT EXECUTED BY ELKAY. THE REMEDY OF REPAIR OR REPLACEMENT AS PROVIDED UNDER THIS LIMITED WARRANTY IS EXCLUSIVE. IN NO EVENT SHALL THE MANUFACTURER BE LIABLE FOR ANY CONSEQUENTIAL OR INCIDENTAL DAMAGES TO ANY PERSON, WHETHER OR NOT OCCASIONED BY NEGLIGENCE OF ELKAY, INCLUDING WITHOUT LIMITATION DAMAGES FOR LOSS OF USE,, COSTS PROPERTY DAMAGE OR OTHER MONETARY LOSS.

Some states do not allow the exclusion or limitation of incidental or consequential damages or limitations on how long an implied warranty lasts, so the above limitations or exclusions may not apply. This warranty gives you specific legal rights and you may also have other rights which vary from state to state.

This warranty covers product installed in the United States and Canada.

## REPLACEMENT PARTS

0000001099 LKAV4091CR Potfiller Decorative Cap  
0000001110 LKAV4091LS Potfiller Decorative Cap

0000001105 LKEC2091CR Potfiller Decorative Cap  
0000001120 LKEC2091LS Potfiller Decorative Cap  
0000001121 LKEC2091AS Potfiller Decorative Cap  
0000001122 LKEC2091RB Potfiller Decorative Cap  
0000001123 LKEC2091PN Potfiller Decorative Cap

Adapter  
Wear sleeve  
O-ring  
Wear sleeve

Faucet body kit

0000001097 LKAV/LKEC  
Potfiller Wall Cartridge

0000001098 LKAV4091CR Potfiller Wall Handle Kit  
0000001109 LKAV4091LS Potfiller Wall Handle Kit

0000001104 LKEC2091CR Potfiller Wall Handle Kit  
0000001116 LKEC2091LS Potfiller Wall Handle Kit  
0000001117 LKEC2091AS Potfiller Wall Handle Kit  
0000001118 LKEC2091RB Potfiller Wall Handle Kit  
0000001119 LKEC2091PN Potfiller Wall Handle Kit

0000001100 LKAV/LKEC Potfiller Spout Cartridge

0000001096 LKAV4091CR Potfiller Escutcheon Kit  
0000001108 LKAV4091LS Potfiller Escutcheon Kit

0000001103 LKEC2091CR Potfiller Escutcheon Kit  
0000001112 LKEC2091LS Potfiller Escutcheon Kit  
0000001113 LKEC2091AS Potfiller Escutcheon Kit  
0000001114 LKEC2091RB Potfiller Escutcheon Kit  
0000001115 LKEC2091PN Potfiller Escutcheon Kit

0000001101 LKAV4091CR Potfiller Spout Handle Kit  
0000001111 LKAV4091LS Potfiller Spout Handle Kit

0000001106 LKEC2091CR Potfiller Spout Handle Kit  
0000001124 LKEC2091LS Potfiller Spout Handle Kit  
0000001125 LKEC2091AS Potfiller Spout Handle Kit  
0000001126 LKEC2091RB Potfiller Spout Handle Kit  
0000001127 LKEC2091PN Potfiller Spout Handle Kit

0000001102 LKAV/LKEC Potfiller Aerator Kit

**ELKAY**

1333 Butterfield Road, Suite 200 | Downers Grove, IL 60515 | elkay.com

©2025 Elkay Manufacturing Company (3/25) 1000001670.pdf