

### SPECIFICATIONS

#### PRODUCT SPECIFICATIONS

Everyday Kitchen Faucet with Remote Lever Handle Restricted Spout Chrome Kit with Bubbler and Vandal-resistant Filtration Kit with Filter Status Monitor. Faucet has a flow rate of 1.5 GPM, and is made of Chrome-plated Brass material, with a Ceramic Disc valve. Faucet requires 2 faucet holes.

|                                |                     |
|--------------------------------|---------------------|
| <b>Mounting Type:</b>          | Deck Mount          |
| <b>Special Features:</b>       | Low Flow            |
| <b>Finish:</b>                 | Chrome (CR)         |
| <b>Handle Type:</b>            | Remote Lever Handle |
| <b>Deck Clearance:</b>         | 10-1/2"             |
| <b>Spout Reach:</b>            | 8"                  |
| <b>Spout Height:</b>           | 11-1/2"             |
| <b>Hole Drillings:</b>         | 2                   |
| <b>Material:</b>               | Chrome-plated Brass |
| <b>Valve Type:</b>             | Ceramic Disc        |
| <b>Valve Connection:</b>       | 1/2"-14 NPSM        |
| <b>Flow Rate:</b>              | 1.5 GPM             |
| <b>Faucet Hole Size (min):</b> | 1-3/8"              |
| <b>Countertop Thickness:</b>   | 2-1/2               |
| <b>Spout Swing Rotation:</b>   | 45°                 |
| <b>Spout Type:</b>             | Fixed Spout         |



Chrome (CR)



**Included with Product:** LKF413945RS (2 Hole) Faucet, LK1141A Bubbler, EF3000VRBMC Filtration Kit

A Century of Tradition and Quality. For more than 100 years, Elkay has been making innovative products and providing exceptional customer care. We take pride in offering plumbing products that make life easier, inspire change and leave the world a better place.



**Product Compliance:** ADA & ICC A117.1  
ASME A112.18.1/CSA B125.1  
CEC  
NSF 61 (Q≤1)  
NSF 372 (lead free)

**Accessory:** NSF 42  
NSF 53  
NSF 401



Complies with ADA & ICC A117.1 accessibility requirements when installed according to the requirements outlined in these standards.

- [Clean and Care Manual \(PDF\)](#)
- [Clean and Care Manual \(PDF\)](#)
- [Installation Instructions \(PDF\) - A55068](#)
- [Installation Instructions \(PDF\) - 000000474](#)
- [Installation Instructions \(PDF\) - 2000001249](#)
- [Warranty \(PDF\)](#)

#### Included Accessories

PART: \_\_\_\_\_ QTY: \_\_\_\_\_

PROJECT: \_\_\_\_\_

CONTACT: \_\_\_\_\_




DATE: \_\_\_\_\_

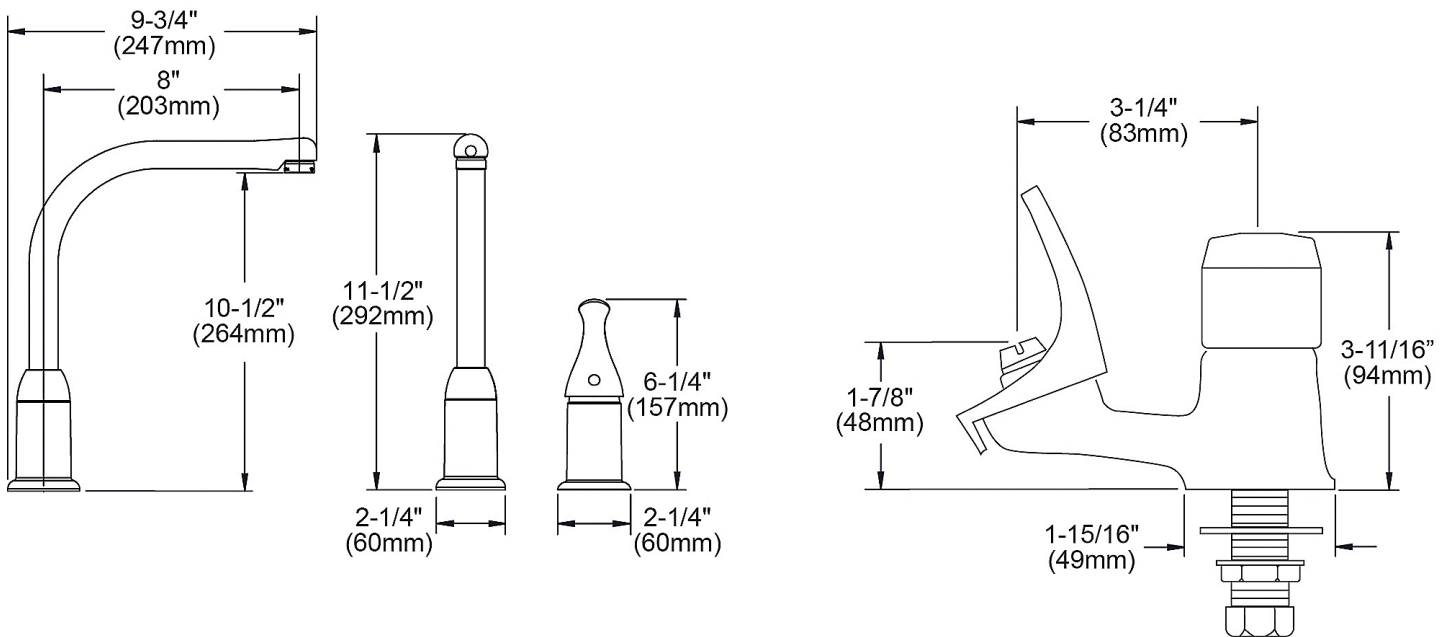
NOTES: \_\_\_\_\_

APPROVAL: \_\_\_\_\_

*Elkay reserves the right to change product specifications without notice. Please visit [elkay.com](http://elkay.com) for the most current version of Elkay product specification sheets. This specification describes an Elkay product with design, quality, and functional benefits to the user. When making a comparison of other producers' offerings, be certain these features are not overlooked.*

SPECIFICATIONS

|                                    |  |   |
|------------------------------------|--|---|
| <p><a href="#">LKF413945RS</a></p> | <p>Everyday Kitchen Faucet with Remote Lever Handle Restricted Spout Chrome<br/><a href="#">Spec Sheet (PDF)</a></p>       |  |
| <p><a href="#">LK1141A</a></p>     | <p>Flexi-Guard® Safety Bubbler Classroom Bubbler<br/><a href="#">Spec Sheet (PDF)</a></p>                                  |  |
| <p><a href="#">EF3000VRBMC</a></p> | <p>Universal Vandal-Resistant 3000 Gal. Filtration Kit with Filter Status Monitor<br/><a href="#">Spec Sheet (PDF)</a></p> |  |

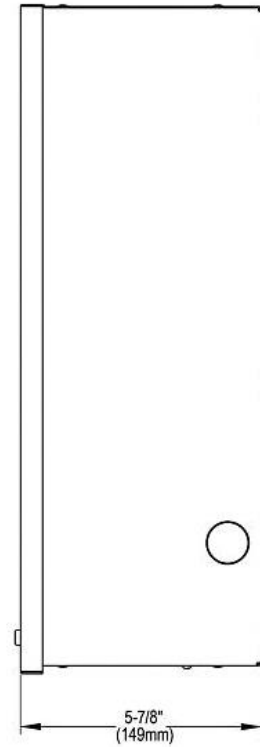
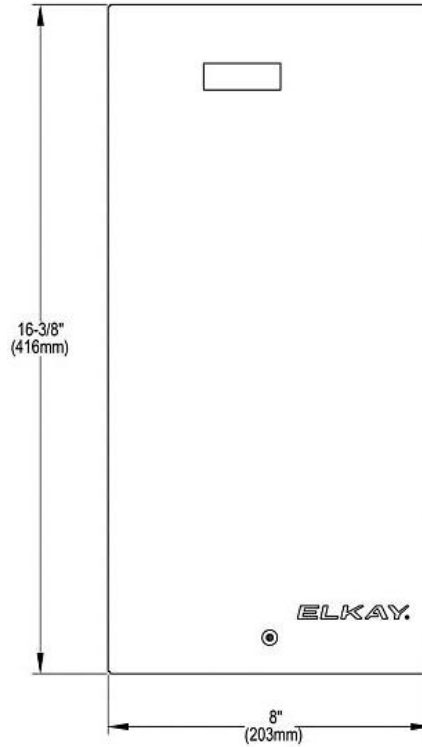


*In keeping with our policy of continuing product improvement, Elkay reserves the right to change product specifications without notice. Please visit [elkay.com](http://elkay.com) for the most current version of Elkay product specification sheets. This specification describes an Elkay product with design, quality, and functional benefits to the user. When making a comparison of other producers' offerings, be certain these features are not overlooked.*

Everyday Kitchen Faucet with Remote Lever Handle Restricted  
Spout Chrome Kit with Bubbler and Vandal-resistant Filtration Kit  
with Filter Status Monitor  
**Model(s) LKF413945RSFFC**

**ELKAY®**

**SPECIFICATIONS**



*In keeping with our policy of continuing product improvement, Elkay reserves the right to change product specifications without notice. Please visit [elkay.com](http://elkay.com) for the most current version of Elkay product specification sheets. This specification describes an Elkay product with design, quality, and functional benefits to the user. When making a comparison of other producers' offerings, be certain these features are not overlooked.*