

PRODUCT SPECIFICATIONS

Mounting Frame for Recessed EFRPC Refrigerated Coolers. Overall dimensions are 17-3/4" x 4" x 31-3/4". Made of Galvanized Steel.

Mounting Type:	Recessed Mount
Material:	Galvanized Steel
Finish:	Galvanized Steel
Dimensions:	17-3/4" x 4" x 31-3/4"
Shipping Weight:	10 lbs.

Special Note: Mounting frame included with Elkay EFRPCM refrigerated models.

- Single-station mounting frame enables installation of recessed drinking water models
- Compatible with specific Elkay® refrigerated models; see specifications tab for details
- Mounting frame included with specific recessed models
- Secures directly to a variety of load-bearing surfaces
- Refer to end product for ADA compliance information
- Built in the USA



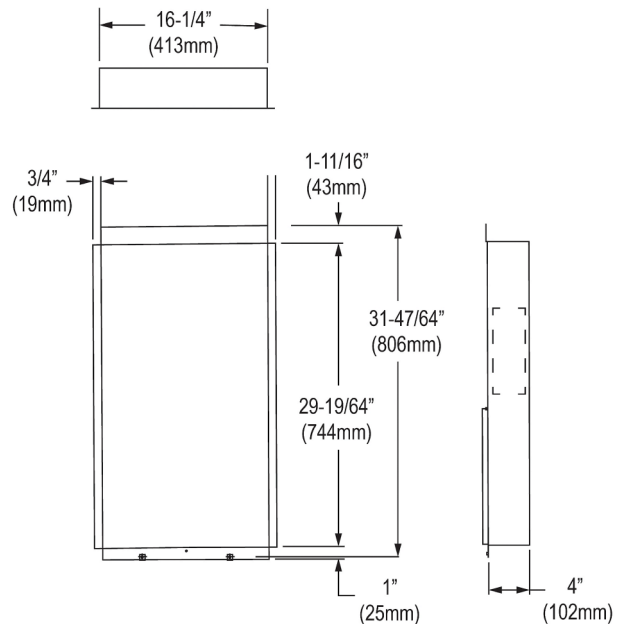
Included with Product: Mounting Frame Assembly

A Century of Tradition and Quality.

For more than 100 years, Elkay has been making innovative products and providing exceptional customer care. We take pride in offering plumbing products that make life easier, inspire change and leave the world a better place.



[Installation Instructions \(PDF\) - 90701C](#)



PART: _____ QTY: _____

PROJECT: _____

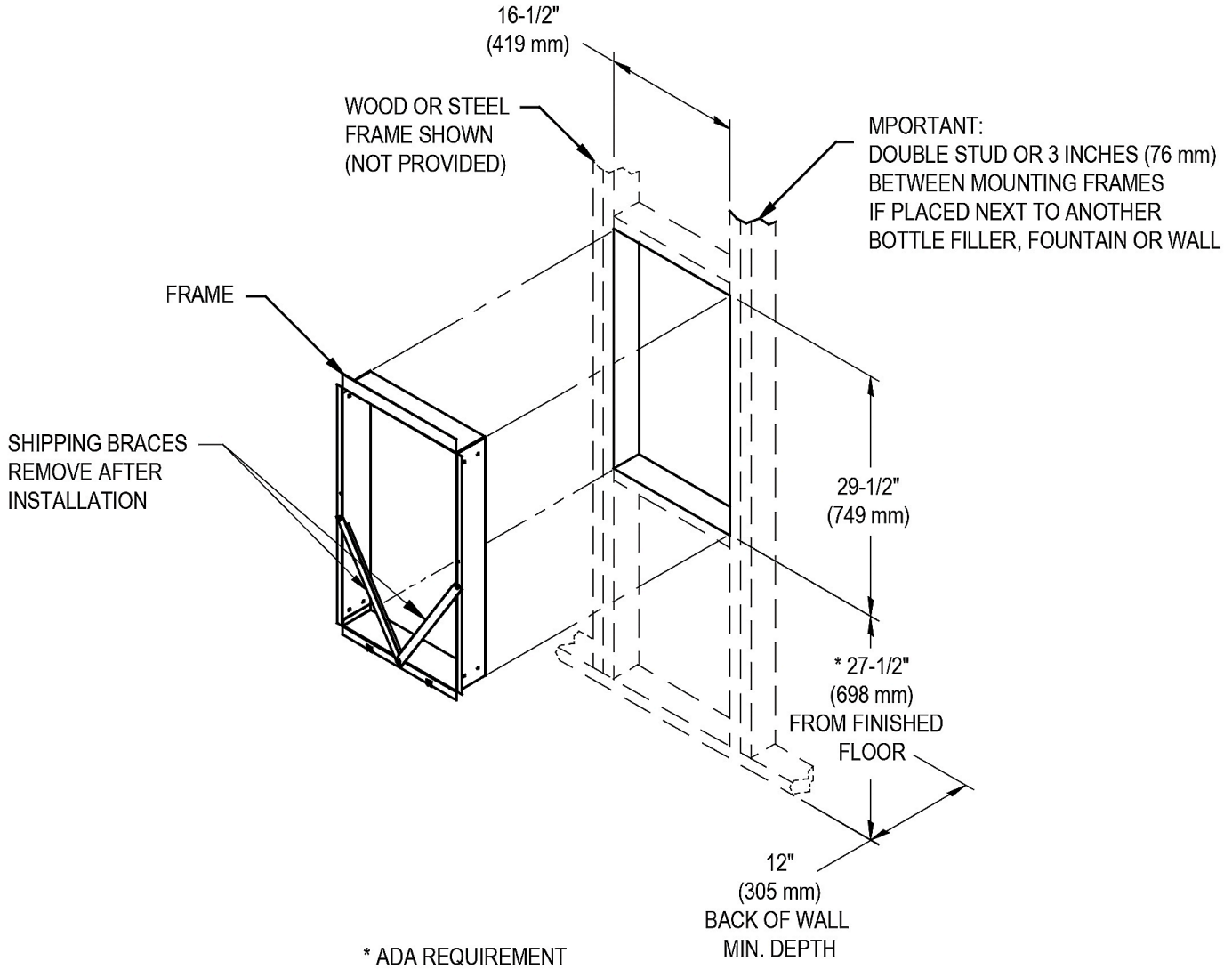
CONTACT: _____

DATE: _____

NOTES: _____

APPROVAL: _____

In keeping with our policy of continuing product improvement, Elkay reserves the right to change product specifications without notice. Please visit elkay.com for the most current version of Elkay product specification sheets. This specification describes an Elkay product with design, quality, and functional benefits to the user. When making a comparison of other producers' offerings, be certain these features are not overlooked.



In keeping with our policy of continuing product improvement, Elkay reserves the right to change product specifications without notice. Please visit elkay.com for the most current version of Elkay product specification sheets. This specification describes an Elkay product with design, quality, and functional benefits to the user. When making a comparison of other producers' offerings, be certain these features are not overlooked.