

# Stainless Steel 16 1/2" x 18" x 9" Undermount Single Bowl Brushed Satin 18 Gauge Sink Model(s) MFD104

## SPECIFICATIONS

### PRODUCT SPECIFICATIONS

Stainless Steel 16 1/2" x 18" x 9" Undermount Single Bowl Brushed Satin 18 Gauge Sink. Sink is manufactured from 18 gauge 304 Stainless Steel with a Brushed Satin finish, Rear Center drain placement, and Full spray sides and bottom with Sides and Bottom pads.

<b>Installation Type:</b>	Undermount
<b>Material:</b>	304 Stainless Steel
<b>Finish:</b>	Brushed Satin
<b>Gauge:</b>	18
<b>Sound Deadening:</b>	Full spray sides and bottom with Sides and Bottom pads
<b>Number of Bowls:</b>	1
<b>Sink Dimensions:</b>	16-1/2" x 18" x 9"
<b>Bowl 1 Dimensions:</b>	14-1/2" x 16" x 9"
<b>Drain Size:</b>	3-1/2" (89mm)
<b>Drain Location:</b>	Rear Center
<b>Minimum Cabinet Size:</b>	18"
<b>Cutout Template #:</b>	<a href="#">2000002532</a>

Template is available for download at [elkay.com](http://elkay.com). CAD software will be required to open the template.



A Century of Tradition and Quality.

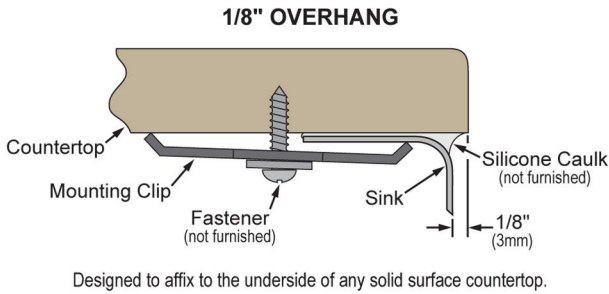
For more than 100 years, Elkay has been making innovative products and providing exceptional customer care. We take pride in offering plumbing products that make life easier, inspire change and leave the world a better place.

[Clean and Care Manual \(PDF\)](#)

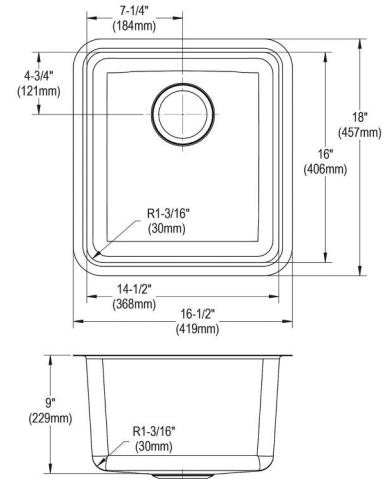
[Installation Instructions \(PDF\) - 1000005239](#)

[Warranty \(PDF\)](#)

### Installation Profile:



Designed to affix to the underside of any solid surface countertop.



PART: \_\_\_\_\_ QTY: \_\_\_\_\_

PROJECT: \_\_\_\_\_

CONTACT: \_\_\_\_\_

DATE: \_\_\_\_\_

NOTES: \_\_\_\_\_

APPROVAL: \_\_\_\_\_

In keeping with our policy of continuing product improvement, Elkay reserves the right to change product specifications without notice. Please visit [elkay.com](http://elkay.com) for the most current version of Elkay product specification sheets. This specification describes an Elkay product with design, quality, and functional benefits to the user. When making a comparison of other producers' offerings, be certain these features are not overlooked.