

**PRODUCT SPECIFICATIONS**

Lustertone® Classic Stainless Steel 48" x 25" x 7-1/2" 4-Hole Single Bowl Sink Top w/Left Drainboard. Sink is manufactured from 18 gauge 304 Stainless Steel with a Lustrous Satin finish, Rear Center drain placement, and Sides and Bottom pads.

|                              |                       |
|------------------------------|-----------------------|
| <b>Installation Type:</b>    | Sink Top              |
| <b>Material:</b>             | 304 Stainless Steel   |
| <b>Special Features:</b>     | Drainboard            |
| <b>Finish:</b>               | Lustrous Satin        |
| <b>Gauge:</b>                | 18                    |
| <b>Sound Deadening:</b>      | Sides and Bottom pads |
| <b>Number of Bowls:</b>      | 1                     |
| <b>Sink Dimensions:</b>      | 48" x 25" x 7-1/2"    |
| <b>Bowl 1 Dimensions:</b>    | 19" x 16" x 7-1/2"    |
| <b>Drain Size:</b>           | 3-1/2" (89mm)         |
| <b>Drain Location:</b>       | Rear Center           |
| <b>Minimum Cabinet Size:</b> | 48"                   |
| <b>Mounting Hardware:</b>    | Not Included          |
| <b>Template Included:</b>    | No                    |



A Century of Tradition and Quality. For more than 100 years, Elkay has been making innovative products and providing exceptional customer care. We take pride in offering plumbing products that make life easier, inspire change and leave the world a better place.

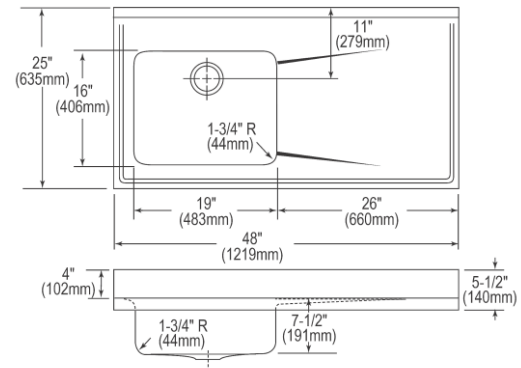


**Product Compliance:** ASME A112.19.3/CSA B45.4








Sinks are listed by IAPMO® as meeting the applicable requirements of the Uniform Plumbing Code®, International Plumbing Code®, and National Plumbing Code of Canada.

[Clean and Care Manual \(PDF\)](#)  
[Warranty \(PDF\)](#)



PART: \_\_\_\_\_ QTY: \_\_\_\_\_  
 PROJECT: \_\_\_\_\_  
 CONTACT: \_\_\_\_\_  
 DATE: \_\_\_\_\_  
 NOTES: \_\_\_\_\_  
 APPROVAL: \_\_\_\_\_

*In keeping with our policy of continuing product improvement, Elkay reserves the right to change product specifications without notice. Please visit [elkay.com](http://elkay.com) for the most current version of Elkay product specification sheets. This specification describes an Elkay product with design, quality, and functional benefits to the user. When making a comparison of other producers' offerings, be certain these features are not overlooked. Latest version of the spec sheet available: [https://www.elkayfiles.com/spec-sheets/S4819L4\\_spec.pdf](https://www.elkayfiles.com/spec-sheets/S4819L4_spec.pdf)*

| Optional Accessories        |                                                                                                                                 |                                                                                     |
|-----------------------------|---------------------------------------------------------------------------------------------------------------------------------|-------------------------------------------------------------------------------------|
| <a href="#">CB1713</a>      | Hardwood 13-1/2" x 17" x 1" Cutting Board<br><a href="#">Spec Sheet (PDF)</a>                                                   |  |
| <a href="#">CBS1316</a>     | Hardwood 14-1/2" x 17" x 3/4" Cutting Board<br><a href="#">Spec Sheet (PDF)</a>                                                 |  |
| <a href="#">LK99</a>        | Deluxe 3-1/2" Drain Type 304 Stainless Steel Body Strainer Basket Rubber Seal and Tailpiece<br><a href="#">Spec Sheet (PDF)</a> |  |
| <a href="#">LKWERBSS</a>    | Stainless Steel 15-3/8" x 12-3/8" x 5-7/16" Rinsing Basket<br><a href="#">Spec Sheet (PDF)</a>                                  |  |
| <a href="#">LKWRB1418SS</a> | Stainless Steel 13" x 17" x 7" Rinsing Basket<br><a href="#">Spec Sheet (PDF)</a>                                               |  |

*In keeping with our policy of continuing product improvement, Elkay reserves the right to change product specifications without notice. Please visit [elkay.com](http://elkay.com) for the most current version of Elkay product specification sheets. This specification describes an Elkay product with design, quality, and functional benefits to the user. When making a comparison of other producers' offerings, be certain these features are not overlooked. Latest version of the spec sheet available: [https://www.elkayfiles.com/spec-sheets/S4819L4\\_spec.pdf](https://www.elkayfiles.com/spec-sheets/S4819L4_spec.pdf)*