

PRODUCT SPECIFICATIONS

Sturdibilt® Stainless Steel 84" x 27-1/2" x 14" Floor Mount Single
Compartment Scullery Sink with Drainboard. Sink is manufactured
from 14 gauge 304 Stainless Steel with a Buffed Satin finish, Center
drain placement. Sinks supported by (4) 16 gauge stainless steel, 1-
5/8" O.D. tubular legs with bullet shaped feet adjustable up to 1".

Material:	304 Stainless Steel
Special Features:	Drainboard
Finish:	Buffed Satin
Gauge:	14
Number of Bowls:	1
Sink Dimensions:	84" x 27-1/2" x 44"
Bowl 1 Dimensions:	36" x 24" x 14"
Drainboard Location:	Left and Right
Drainboard Size:	24
Backsplash Height:	8
Leg Type:	Stainless Steel
Drain Size:	3-1/2" (89mm)
Drain Location:	Center



A Century of Tradition and Quality.
For more than 100 years, Elkay has been making innovative
products and providing exceptional customer care. We take pride in
offering plumbing products that make life easier, inspire change and
leave the world a better place.

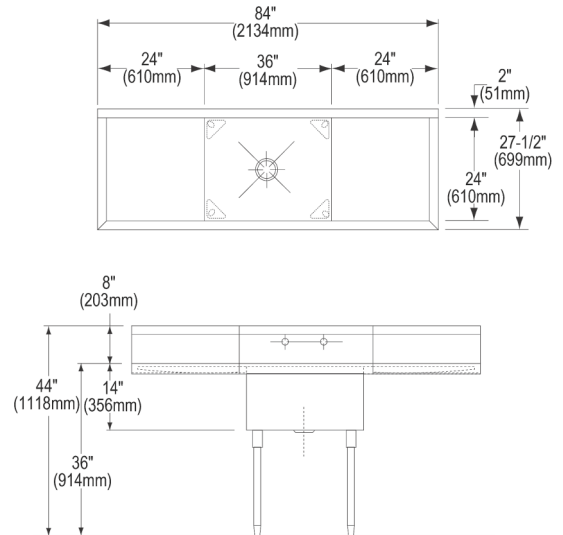


Product Compliance: ASME A112.19.3/CSA B45.4



Sinks are listed by IAPMO® as meeting the applicable
requirements of the Uniform Plumbing Code®, International
Plumbing Code®, and National Plumbing Code of Canada.

[Clean and Care Manual \(PDF\)](#)
[Warranty \(PDF\)](#)



PART: _____ QTY: _____
 PROJECT: _____
 CONTACT: _____
 DATE: _____
 NOTES: _____
 APPROVAL: _____

In keeping with our policy of continuing product improvement, Elkay reserves the right to change product specifications without notice. Please visit elkay.com for the most current version of Elkay product specification sheets. This specification describes an Elkay product with design, quality, and functional benefits to the user. When making a comparison of other producers' offerings, be certain these features are not overlooked.