

**PRODUCT SPECIFICATIONS**

Sturdibilt® 24" Detachable Drainboard. Overall dimensions are 24" x 24" x 13-1/4". Made of 304 Stainless Steel.

<b>Material:</b>	304 Stainless Steel
<b>Finish:</b>	Buffed Satin
<b>Gauge:</b>	14
<b>Dimensions:</b>	24" x 24" x 13-1/4"
<b>Shipping Weight:</b>	30 lbs.

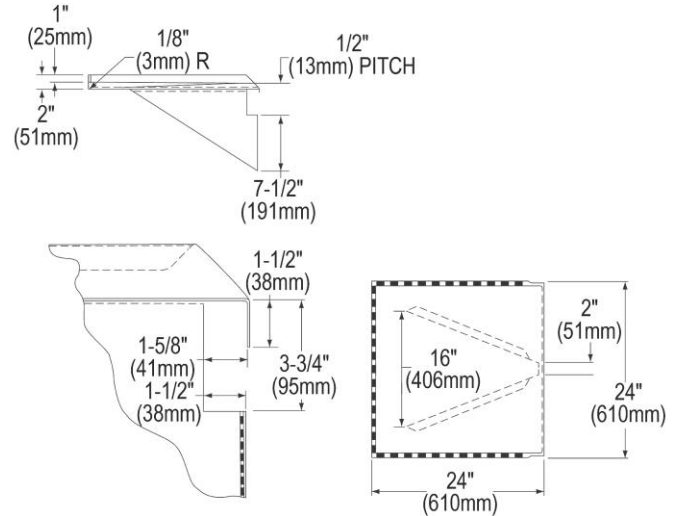
- Specifically designed cantilever bracket support
- Readily removable without tools
- Reversible design, may be used on the right and/or left side of the scullery
- Designed to fit the channel rim of the Sturdibilt®, the Weldbilt®, and the Rigidbilt® scullery sinks



A Century of Tradition and Quality.  
For more than 100 years, Elkay has been making innovative products and providing exceptional customer care. We take pride in offering plumbing products that make life easier, inspire change and leave the world a better place.



[Clean and Care Manual \(PDF\)](#)  
[Warranty \(PDF\)](#)



PART: \_\_\_\_\_ QTY: \_\_\_\_\_

PROJECT: \_\_\_\_\_

CONTACT: \_\_\_\_\_

DATE: \_\_\_\_\_

NOTES: \_\_\_\_\_

APPROVAL: \_\_\_\_\_

*In keeping with our policy of continuing product improvement, Elkay reserves the right to change product specifications without notice. Please visit [elkay.com](http://elkay.com) for the most current version of Elkay product specification sheets. This specification describes an Elkay product with design, quality, and functional benefits to the user. When making a comparison of other producers' offerings, be certain these features are not overlooked.*