

**PRODUCT SPECIFICATIONS**

Elkay Lustertone™ Classic Stainless Steel 17" x 16" x 6-1/2", Single Bowl Drop-in ADA Sink with Perfect Drain. Sink is manufactured from 18 gauge 304 Stainless Steel with a Lustrous Satin finish, Center drain placement, and Bottom only pads.

|                              |  |
|------------------------------|--|
| <b>Installation Type:</b>    | Drop-in  |
| <b>Material:</b>             | 304 Stainless Steel  |
| <b>Special Features:</b>     | Perfect Drain  |
| <b>Finish:</b>               | Lustrous Satin   |
| <b>Gauge:</b>                | 18   |
| <b>Sound Deadening:</b>      | Bottom only pads   |
| <b>Number of Bowls:</b>      | 1  |
| <b>Sink Dimensions:</b>      | 17" x 16" x 6-1/2"   |
| <b>Bowl 1 Dimensions:</b>    | 14" x 10" x 6-3/8"   |
| <b>Drain Size:</b>           | 3-3/8" (86mm)  |
| <b>Drain Location:</b>       | Center   |
| <b>Minimum Cabinet Size:</b> | 21"  |
| <b>Mounting Hardware:</b>    | Part # 64090010 included for countertops up to 3/4" (19mm) thick |
| <b>Cutout Template #:</b>    | <a href="#">1000001269</a>                                       |

Template is available for download at [elkay.com](#)

**Cutout Dimensions for Top Mount Installation:**

16-3/8" x 15-3/8" (416mm x 391mm) with 1-1/2" (38mm) corner radius

**Perfect Drain:** Seamlessly welded stainless steel collar eliminates the gap between a traditional drain and the sink for a sanitary and gap free installation. An InSinkErator® garbage disposer can be installed on either sink bowl for user convenience.

U.S. Patent Nos 9,057,185 and 9,783,968.

**in sink erator**<sup>®</sup>

Elkay<sup>®</sup> Perfect Drain™ sinks are designed and approved for compatible disposers manufactured by InSinkErator<sup>®</sup> utilizing the Quick Lock<sup>®</sup> mounting configuration. Use of non-approved disposers may void Elkay warranty.

InSinkErator, Quick Lock and the mounting collar configuration are trademarks of Emerson Electric Co.





**Included with Product:** One LKPD1 Perfect Drain and strainer.

AMERICAN PRIDE. A LIFETIME TRADITION. Like your family, the Elkay family has values and traditions that endure. For almost a century, Elkay has been a family-owned and operated company, providing thousands of jobs that support our families and communities.



**Product Compliance:** ADA & ICC A117.1  
ASME A112.19.3/CSA B45.4  
BUY AMERICAN ACT  
Accessory: ASME A112.18.2/CSA B125.2



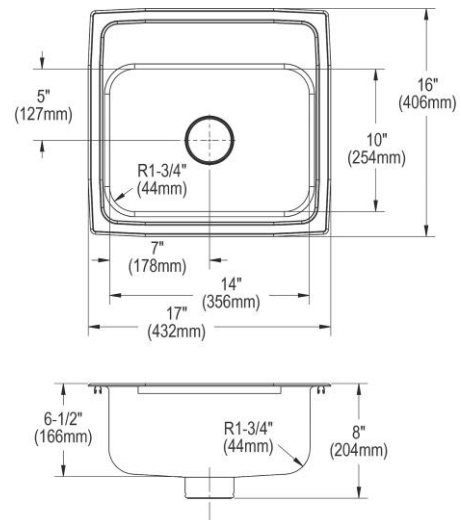
Sinks are listed by IAPMO<sup>®</sup> as meeting the applicable requirements of the Uniform Plumbing Code<sup>®</sup>, International Plumbing Code<sup>®</sup>, and National Plumbing Code of Canada.



Complies with ADA & ICC A117.1 accessibility requirements when installed according to the requirements outlined in these standards.

- [Clean and Care Manual \(PDF\)](#)
- [Installation Instructions \(PDF\) - 74180147](#)
- [Installation Instructions \(PDF\) - 74180289 Disposer](#)
- [Installation Instructions \(PDF\) - 74180340-USA Drain](#)
- [Limited Lifetime Warranty \(PDF\)](#)

**Similar models are available with:** Quick-Clip Mounting System



PART: \_\_\_\_\_ QTY: \_\_\_\_\_

PROJECT: \_\_\_\_\_

CONTACT: \_\_\_\_\_

DATE: \_\_\_\_\_

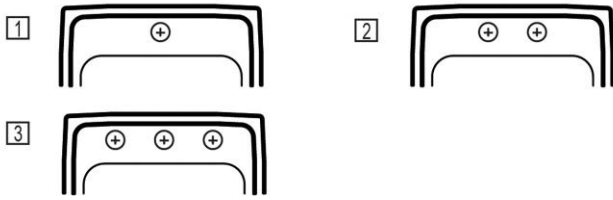
NOTES: \_\_\_\_\_

APPROVAL: \_\_\_\_\_

*In keeping with our policy of continuing product improvement, Elkay reserves the right to change product specifications without notice. Please visit [elkay.com](#) for the most current version of Elkay product specification sheets. This specification describes an Elkay product with design, quality, and functional benefits to the user. When making a comparison of other producers' offerings, be certain these features are not overlooked.*

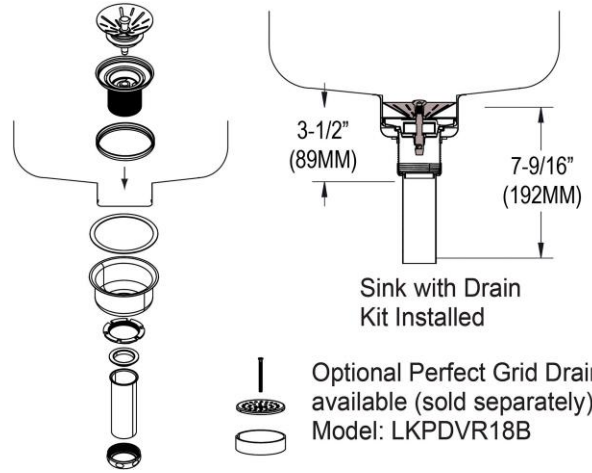
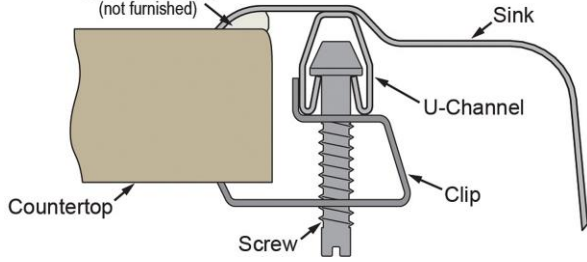
**Hole Drilling Configurations:**

1-1/2" (38mm) Diameter Faucet Holes on 4" (102mm) Centers



**Installation Profile:**

Silicone Caulk  
(not furnished)



Optional Perfect Grid Drain  
available (sold separately)  
Model: LKPDVR18B

**OPTIONAL ACCESSORIES**

|                        |                              |
|------------------------|------------------------------|
| <b>Drain:</b>          | LKPDVR18B, LKPDAD18B, LKDS99 |
| <b>Faucet:</b>         | LKGT1041, LKGT2041           |
| <b>Hardware:</b>       | LK364, LK463                 |
| <b>Rinsing Basket:</b> | LKWRB1209SS                  |
| <b>Sinkmate:</b>       | LKSMHSL                      |
| <b>Soap Dispenser:</b> | LKGT1054                     |

*In keeping with our policy of continuing product improvement, Elkay reserves the right to change product specifications without notice. Please visit [elkay.com](http://elkay.com) for the most current version of Elkay product specification sheets. This specification describes an Elkay product with design, quality, and functional benefits to the user. When making a comparison of other producers' offerings, be certain these features are not overlooked.*