

PRODUCT SPECIFICATIONS

Elkay Quartz Luxe® 33" x 22" x 9-1/2", Equal Double Bowl Drop-in Sink with Aqua Divide. Proprietary manufacturing process that combines natural quartz with high performance UV-stable acrylic resins, along with a patented webbing and embedded organic fibers that results in an impact resistant, non-porous and heat, scratch, stain and fade resistant surface. Naturally sound deadening and Rear Center drain placement.



Installation Type:	Drop-in
Material:	Quartz
Special Features:	Aqua Divide
Finish:	Caviar (CA), Charcoal (CH), Chestnut (CN), Parchment (PA), Ricotta (RT)
Number of Bowls:	2
Sink Dimensions:	33" x 22" x 9-1/2"
Bowl 1 Dimensions:	15-3/16" x 17-7/8" x 9-1/2"
Bowl 2 Dimensions:	15-3/16" x 17-7/8" x 9-1/2"
Drain Size:	3-1/2" (89mm)
Drain Location:	Rear Center
Minimum Cabinet Size:	36"
Mounting Hardware:	Part # 64090408 included for countertops up to 1-3/4" (44mm) thick
Cutout Template #:	0000001442

Template is available for download at [elkay.com](#)

Cutout Dimensions for Top Mount Installation:

32-3/8" x 21-3/8" (822mm x 543mm) with 11/16" (17mm) corner radius



Installation Profile:

NO IMAGE AVAILABLE

OPTIONAL ACCESSORIES

Bottom Grid:	LKOBG1417LSS (left bowl), LKOBG1417RSS (right bowl)
Cutting Board:	LKCB1417HW
Drain:	LKQS35, LKQD35, LK99
Faucet:	LK6000CR, LKEC2031
Soap Dispenser:	LKGT1054

AMERICAN PRIDE. A LIFETIME TRADITION.

Like your family, the Elkay family has values and traditions that endure. For almost a century, Elkay has been a family-owned and operated company, providing thousands of jobs that support our families and communities.

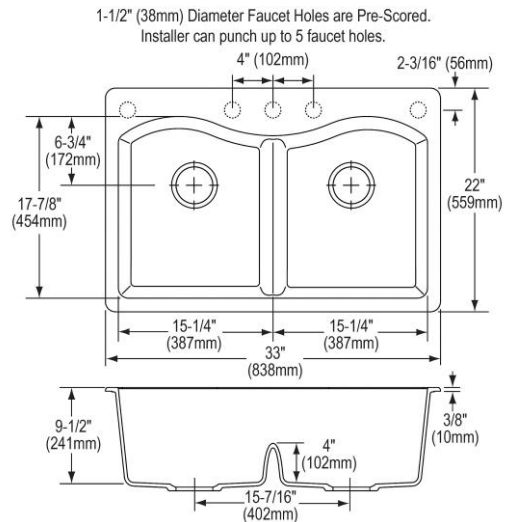
Product Compliance: CSA B45.5/IAPMO Z124

Sinks are listed by IAPMO® as meeting the applicable requirements of the Uniform Plumbing Code®, International Plumbing Code®, and National Plumbing Code of Canada.

[Clean and Care Manual \(PDF\)](#)

[Installation Instructions \(PDF\)](#)

[Warranty \(PDF\)](#)



PART: _____ QTY: _____

PROJECT: _____

CONTACT: _____

DATE: _____

NOTES: _____

APPROVAL: _____

In keeping with our policy of continuing product improvement, Elkay reserves the right to change product specifications without notice. Please visit [elkay.com](#) for the most current version of Elkay product specification sheets. This specification describes an Elkay product with design, quality, and functional benefits to the user. When making a comparison of other producers' offerings, be certain these features are not overlooked.