

ELKAY[®]

SPECIFICATIONS

Gourmet E-Granite Double Bowl Top Mount Sink Models ELG3322 Series

GENERAL

Molded with up to 85% natural quartz and high performance acrylic resins. E-Granite is non-porous and resists staining. E-Granite is hard enough to resist scratches and chips, is naturally sound deadened, and heat resistant. The color is solid throughout the sink and is UV resistant to prevent color-fading in indoor applications. Top mount.

DESIGN FEATURES

Bowl Depth: 9-1/2" (241mm).

Rim Height: 3/8" (10mm).

Color Options with natural accents: Black (BK), Bisque (BQ), Dusk Gray (GY), Mocha (MC), or White (WH).

OTHER

Drain Opening: 3-1/2" (89mm).

Note: Faucet holes are pre-scored for flexible installation.

Installer can punch up to 4 faucet holes.

Sink complies with ASME A112.19.3/ CSA B45.4



Sinks are listed by IAPMO[®] as meeting the applicable requirements of the Uniform Plumbing Code[®], International Plumbing Code[®], and National Plumbing Code of Canada.

OPTIONAL ACCESSORIES

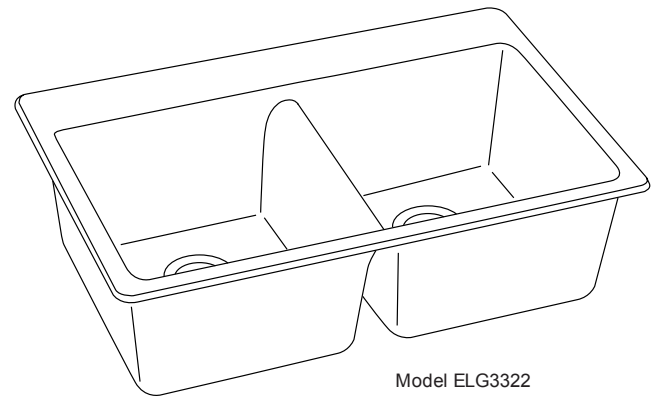
Bottom Grid: LKWOBG1516SS

Cutting Boards: LKCBEG1516HW

Drains: LKD35, LKS35

Rinsing Basket: LKW RB1516SS

Utensil Caddy for Rinsing Basket: LKWUCSS



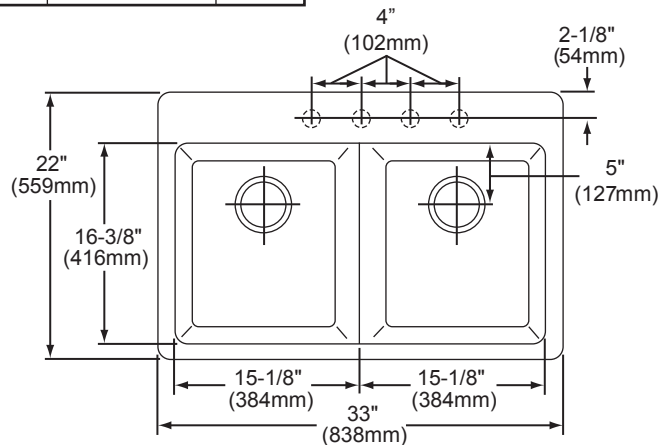
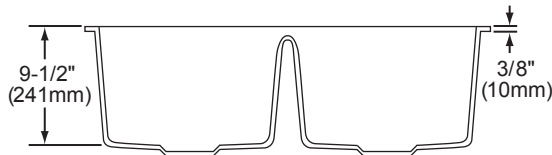
Model ELG3322

SINK DIMENSIONS*

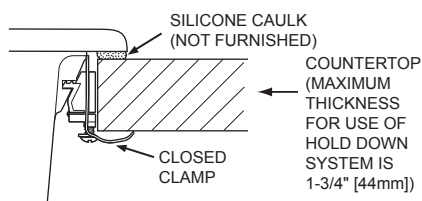
Model Number	Overall		Inside Bowl			Cutout in Countertop 1" (25mm) Radius Corners		No. of Pre-scored 1-1/2" (38mm) Dia. Faucet Holes 4" (102mm) Centers	Minimum Cabinet Size
	L	W	L	W	D	L	W		
ELG3322	33 (838mm)	22 (559mm)	15-1/8 (384mm)	16-3/8 (416mm)	9-1/2 (241mm)	32-3/8 (822mm)	21-3/8 (543mm)	4	36 (914mm)

*Length is left to right. Width is front to back.

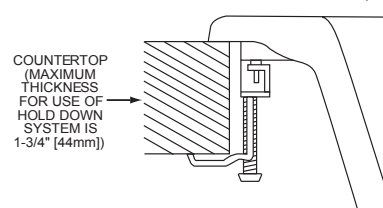
**Template 0000001442 (available by contacting customer service).



Cross Profile of Installation



Cross Profile of Installation Prior To Apr. 1, 2013



In keeping with our policy of continuing product improvement, Elkay reserves the right to change product specifications without notice. Please visit elkayusa.com for most current version of Elkay product specification sheets.

This specification describes an Elkay product with design, quality, and functional benefits to the user. When making a comparison of other producers' offerings, be certain these features are not overlooked.