

**SPECIFICATIONS**

**PRODUCT SPECIFICATIONS**

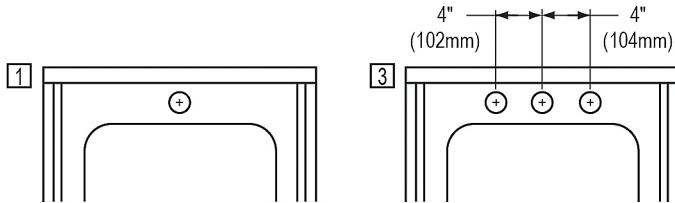
Sturdibilt® Stainless Steel 19" x 23" x 4" Wall Hung Single Bowl Lavatory Sink. Sink is manufactured from 18 gauge 304 Stainless Steel with a Buffed Satin finish, Rear Center drain placement.

<b>Material:</b>	304 Stainless Steel
<b>Finish:</b>	Buffed Satin
<b>Gauge:</b>	18
<b>Number of Bowls:</b>	1
<b>Sink Dimensions:</b>	19" x 23" x 9"
<b>Bowl 1 Dimensions:</b>	16" x 13-1/2" x 4"
<b>Drainboard Location:</b>	No drainboard
<b>Backsplash Height:</b>	2.5
<b>Drain Location:</b>	Rear Center



**Hole Drilling Configurations:**

1-1/4" (32mm) Diameter Faucet Hole For 1 Hole Model  
 1-1/2" (38mm) Diameter Faucet Holes For 3 Hole Model  
 Faucet Holes on 4" (102 mm) Centers



**Included with Product:** WLC1923 sink, one LKAD174LO drain

A Century of Tradition and Quality. For more than 100 years, Elkay has been making innovative products and providing exceptional customer care. We take pride in offering plumbing products that make life easier, inspire change and leave the world a better place.



**Product Compliance:** ADA & ICC A117.1  
 NSF 2  
 ASME A112.19.3/CSA B45.4

**Accessory:** ASME A112.18.2/CSA B125.2

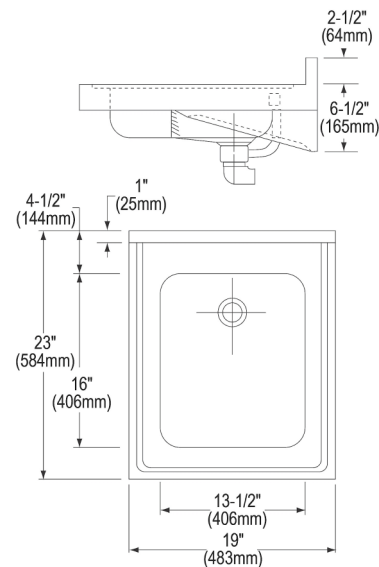


Sinks are listed by IAPMO® as meeting the applicable requirements of the Uniform Plumbing Code®, International Plumbing Code®, and National Plumbing Code of Canada.



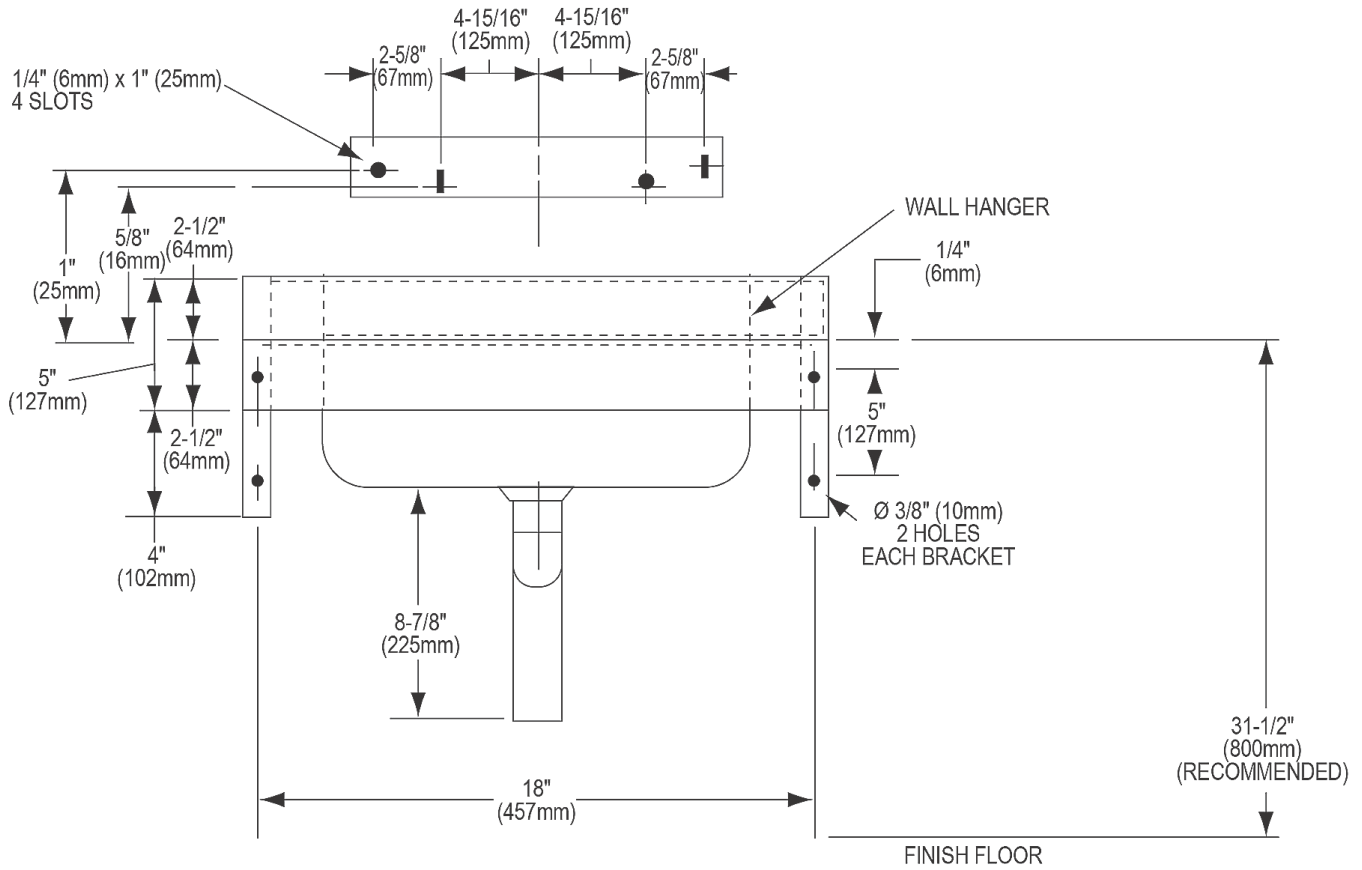
Complies with ADA & ICC A117.1 accessibility requirements when installed according to the requirements outlined in these standards.

[Clean and Care Manual \(PDF\)](#)  
[Warranty \(PDF\)](#)



PART: \_\_\_\_\_ QTY: \_\_\_\_\_  
 PROJECT: \_\_\_\_\_  
 CONTACT: \_\_\_\_\_  
 DATE: \_\_\_\_\_  
 NOTES: \_\_\_\_\_  
 APPROVAL: \_\_\_\_\_

*In keeping with our policy of continuing product improvement, Elkay reserves the right to change product specifications without notice. Please visit [elkay.com](http://elkay.com) for the most current version of Elkay product specification sheets. This specification describes an Elkay product with design, quality, and functional benefits to the user. When making a comparison of other producers' offerings, be certain these features are not overlooked.*



In keeping with our policy of continuing product improvement, Elkay reserves the right to change product specifications without notice. Please visit [elkay.com](http://elkay.com) for the most current version of Elkay product specification sheets. This specification describes an Elkay product with design, quality, and functional benefits to the user. When making a comparison of other producers' offerings, be certain these features are not overlooked.