

### PRODUCT SPECIFICATIONS

WaterSentry<sup>®</sup> 35000 Gallon Bacteria Water Filtration System.  
Overall dimensions are 11-1/8" x 5-5/8" x 18-13/16".

<b>Special Features:</b>	Filtered
<b>Dimensions:</b>	11-1/8" x 5-5/8" x 18-13/16"
<b>Shipping Weight:</b>	8 lbs.
<b>Flow Rate:</b>	1.5 GPM (5.6 L/m)
<b>Capacity:</b>	
<b>Temperature:</b>	40-100°F (4-38°C)
<b>Initial Pressure Drop:</b>	2-5 PSI (14-34 kPa)
<b>Maximum Pressure:</b>	105 PSI (724 kPa)
<b>Minimum Pressure:</b>	20 PSI (138 kPa)
<b>Water Inlet:</b>	3/8" (9.5mm) O.D. tube
<b>Water Outlet:</b>	1/4" (6.4mm) O.D. tube

**Special Note:** This ultrafiltration system has a process that reduces particles and microorganisms of up to .2 microns. It also reduces odor, taste and chlorine.

- This water filtration system (WSP35000) provides a reduction in aerobic mesophilic bacterial organisms and the coliform bacteria by mechanical means
- The system includes a Quick-Connect head for the water supply that allows easy installation and replacement of the cartridge



A Century of Tradition and Quality.

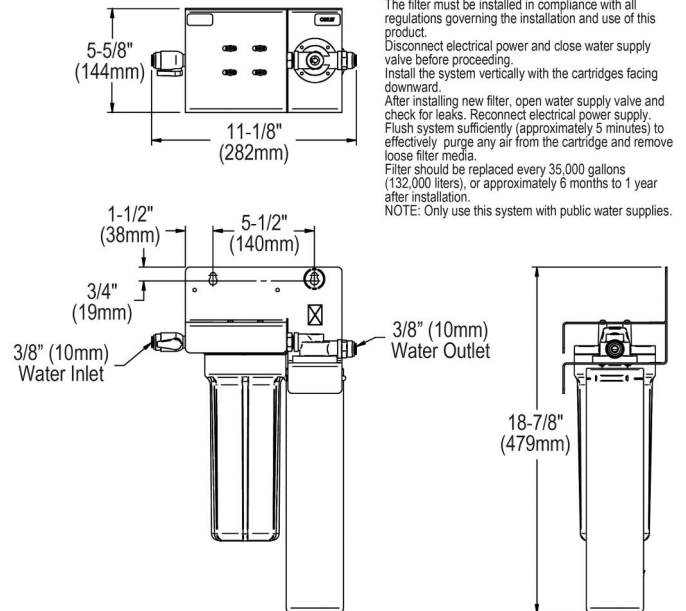
For more than 100 years, Elkay has been making innovative products and providing exceptional customer care. We take pride in offering plumbing products that make life easier, inspire change and leave the world a better place.



**Product Compliance:** NOM-244

# NOM

[Installation Instructions \(PDF\) - 100003656](#)



PART: \_\_\_\_\_ QTY: \_\_\_\_\_

PROJECT: \_\_\_\_\_

CONTACT: \_\_\_\_\_

DATE: \_\_\_\_\_

NOTES: \_\_\_\_\_

APPROVAL: \_\_\_\_\_

*In keeping with our policy of continuing product improvement, Elkay reserves the right to change product specifications without notice. Please visit [elkay.com](http://elkay.com) for the most current version of Elkay product specification sheets. This specification describes an Elkay product with design, quality, and functional benefits to the user. When making a comparison of other producers' offerings, be certain these features are not overlooked.*