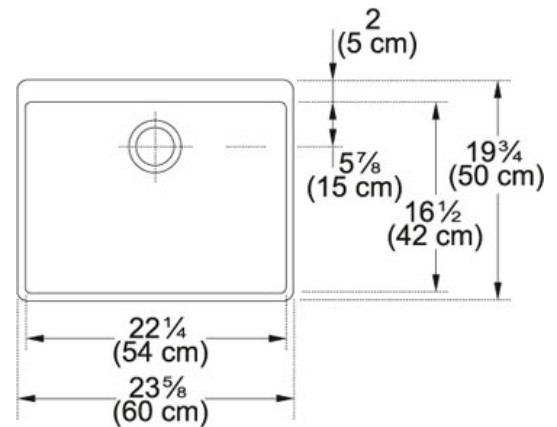


# SPECIFICATION SHEET

PRODUCT FAMILY: Sinks FINISH: Fireclay Matte White SERIES: MANOR HOUSE MODEL: MHK110-24WH



## Product Information

<b>FUN#</b>	130.0256.635
<b>US Part Number</b>	MHK110-24MW
<b>Minimum Cabinet Size</b>	27"
<b>Drain Opening</b>	3 1/2"
<b>Outer Dimensions</b>	23 5/8"x19 3/4"x7 7/8"
<b>Bowl Size</b>	22 1/4"x16 1/2"x7 1/8"
<b>Number of Bowls</b>	1
*	Dimensions may vary by 2% (plus or minus) due to material attributes and firing process. Finish on front and sides only.
<b>Type of Material</b>	Fireclay

**Suggested Products**



112.0048.590



115.0199.329