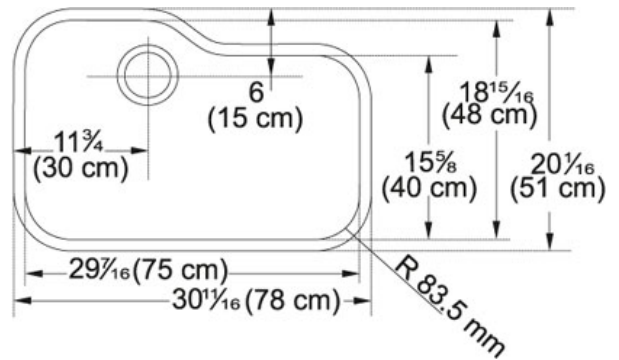


SPECIFICATION SHEET

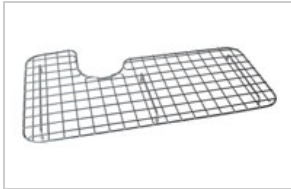
PRODUCT FAMILY: **Sinks** FINISH: **Stainless Steel** SERIES: **ORCA** MODEL: **ORX110**



Product Information

FUN#	122.0035.127
US Part Number	ORX110
Franke Integral Ledge	built-in
Minimum Cabinet Size	33"
Drain Opening	3 1/2"
Outer Dimensions	30 11/16"x20 1/16"
Bowl Size	29 7/16"x18 5/16"x9 1/16"
Type of Material	18 ga Stainless Steel

Accessories



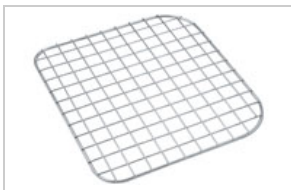
112.0040.589



112.0040.754



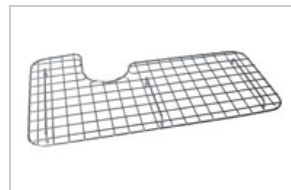
112.0047.502



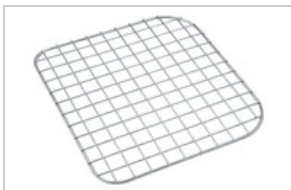
112.0047.503



112.0048.311



112.0066.253



112.0066.279

Suggested Products



112.0066.071



112.0073.921



112.0073.934



115.0155.289



119.0066.616



119.0068.282



133.0178.205