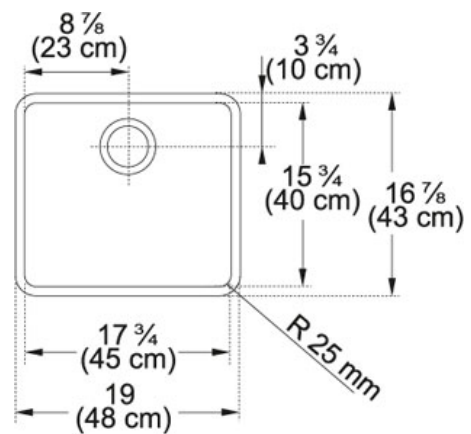


# SPECIFICATION SHEET

PRODUCT FAMILY: **Sinks** FINISH: **Stainless Steel** SERIES: **KUBUS** MODEL: **KBX110-18**



## Product Information

<b>FUN#</b>	122.0073.549
<b>US Part Number</b>	KBX110-18
<b>Franke Integral Ledge</b>	built-in
<b>Minimum Cabinet Size</b>	27"
<b>Drain Opening</b>	3 1/2"
<b>Outer Dimensions</b>	480 mmx16 7/8"
<b>Bowl Size</b>	17 3/4"x15 3/4"x9 1/16"
<b>Number of Bowls</b>	1
<b>Type of Material</b>	18 ga Stainless Steel

**Accessories**



112.0014.121



112.0014.123



112.0014.124



112.0030.882



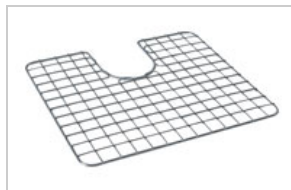
112.0036.418



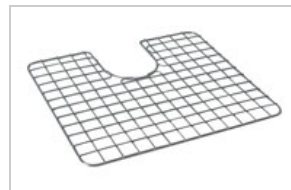
112.0039.150



112.0066.071



112.0066.238



112.0250.456



112.0265.075

**Suggested Products**



115.0193.202



119.0066.616



119.0080.612



120.0296.741



133.0204.098



134.0297.202