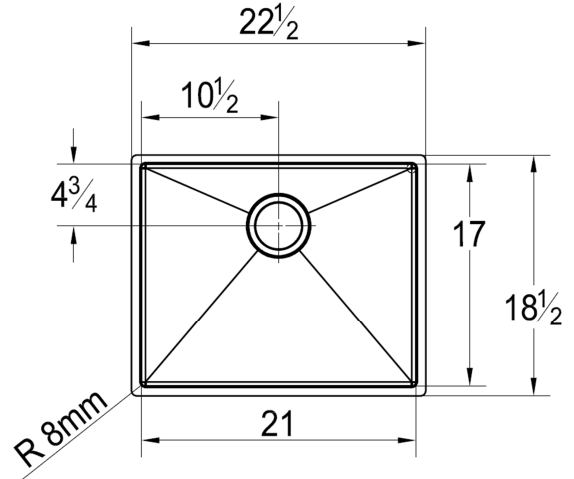


<b>Spec Sheet</b>	<b>PLANAR 8</b>	<b>PEX110-21</b>	<b>FRANKE</b>
-------------------	-----------------	------------------	---------------



<b>Overall Sink Size (OD)</b>	22.5"W x 18.5"D	<b>Bowl Size (ID)</b>	21"W x 17"D
<b>Bowl Depth (ID)</b>	9.5"	<b>Inside Corner Radius</b>	8mm or 3/8"
<b>Minimum Cabinet</b>	27"	<b>Material</b>	Type 304, 18GA Stainless Steel 18% Chromium / 10% Nickel
<b>Installation Type</b>	Undermount	<b>Drain Measurement</b>	3.5"
<b>Made In</b>	ITALY	<b>Code Approvals</b>	UPC & cUPC
<b>Weight (lbs)</b>	Packed: 25 lbs Unpacked: 17 lbs	<b>Box Dimensions</b>	28.75" x 24" x 11.875"
<b>Optional Accesories</b>	Bottom Grid	PE-21S	
	Cutting Board	PE-40S	
	Colander	PE-70S	
	Strainer Baskets	900 (Chrome) / 900SN (Satin Nickel)	
<b>Sink Includes</b>	Anti-noise pads	9 Pads (adhered to the sink)	
	Clip Fixing System	EL-CLIPS	
	<b>Cut Out Template</b>  <i>For reference only. All templates are meant to be guidelines. It is absolutely critical that you have the sink and any custom sink accessories on site prior to any cut or modification to the countertop. This is the only way to ensure a proper custom cut and installation.</i>  <b>FRANKE WILL NOT BE RESPONSIBLE FOR ANY ERRORS IN COUNTERTOP PREPARATION AND SINK INSTALLATION.</b>		
<b>Document Revision</b>	July 18, 2014		