



2100 South Clearwater Drive
Des Plaines, IL 60018
Phone: 800-566-2100
Fax: 847-803-5454
www.geberitnorthamerica.com

ROUGH-IN

FITTING NO.

151.603.XX.1

BY: SID DATE: 03-18-08

SUBMITTED MODEL NO.

CHK: *[Signature]* REV:

FOR TECHNICAL ASSISTANCE
1-800-TEC-TRUE (1-800-832-8783)

SUBMITTED AS SHOWN

SUBMITTED AS NOTED

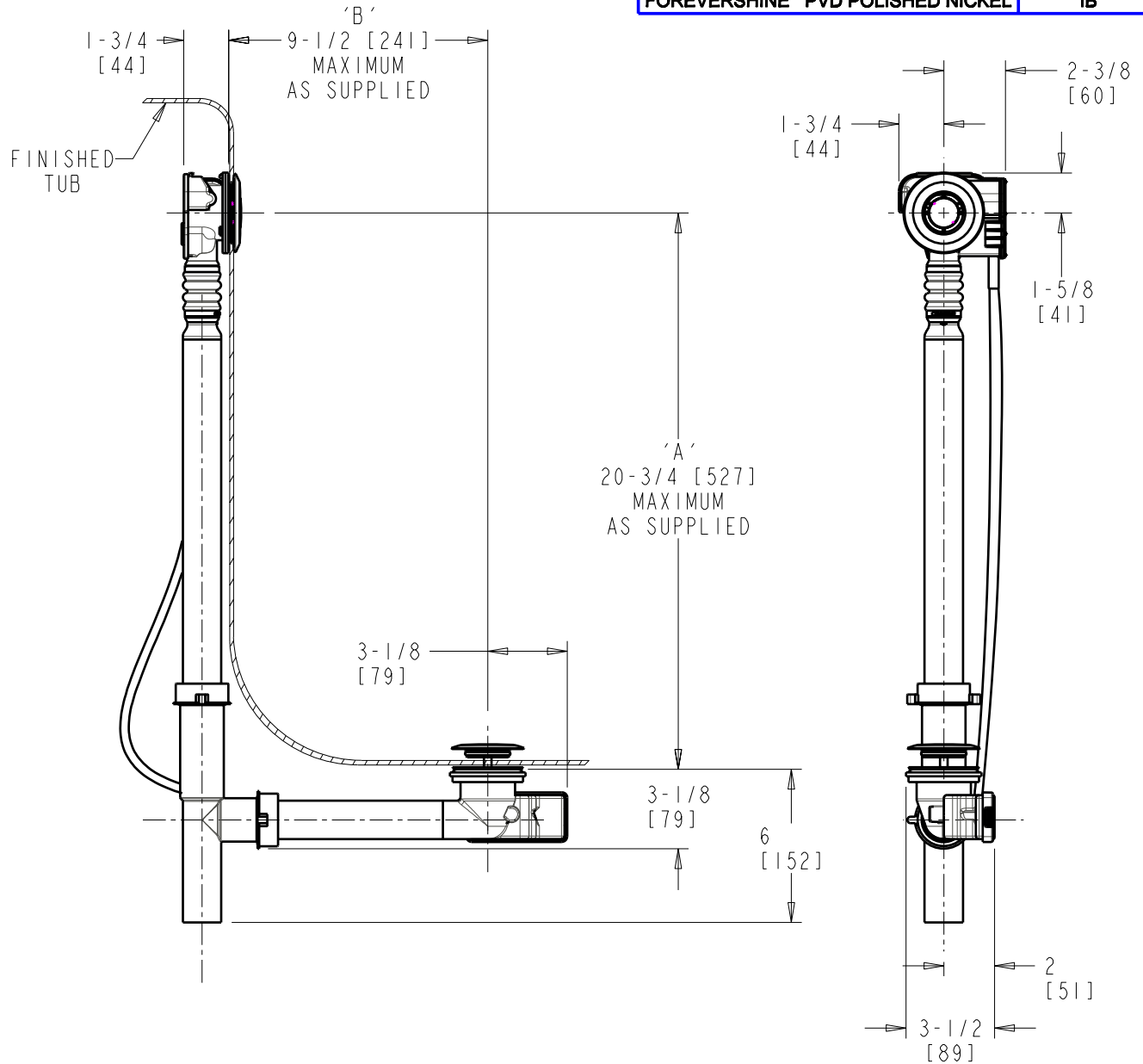
SEE ATTACHED FOR
SUBMITTED MODIFICATION

JOB NAME

ITEM NO.

FINISH DESCRIPTION	FINISH CODE
POLISHED CHROME	21
HARD COAT OIL RUBBED BRONZE	HM
FOREVERSHINE™ PVD BRUSHED NICKEL	ID
FOREVERSHINE™ PVD POLISHED NICKEL	IB

NOTE:
'A' + 'B' NOT TO EXCEED 27"



DIMENSIONS ARE IN INCHES AND [MILLIMETERS].

TECHNICAL DATA

- PUSH CONTROL CABLE-OPERATED BATH WASTE AND OVERFLOW
- WITH DECORATIVE TRIM KIT AND FLEXIBLE NECK
- FITS MOST TUBS 17"-24" DEEP
- 1-1/2" TUBULAR PP .08" WALL
- FITS TUB WALL THICKNESS UP TO 1/2"
- 2" DIA. DRAIN HOLE OPENING
- 2" TO 2-1/2" DIA. OVERFLOW HOLE OPENING
- SOLID BRASS PUSH BUTTON & PLUNGER; FINISHED AS SPECIFIED ABOVE
- STAINLESS STEEL STRAINER
- 27" TEFLON® COATED STAINLESS STEEL CABLE
- INSTALLATION TOOLS INCLUDED
- ASME A112.18.2/CSA B125.2 COMPLIANT

ROUGHING IN DIMENSIONS MAY VARY AND ARE SUBJECT TO CHANGE. NO RESPONSIBILITY IS ASSUMED FOR USE OF SUPERCEDED OR VOIDED DATA.