

*Complement
your purchase
with these
fine accessories
also from
GINGER®:*

*Towel Bars
Towel Rings
Toilet Tissue Holders
Hooks
Soap Dishes
Tumbler Holders
Toiletry Shelves
Grab Bars
Mirrors
Lights
Bud Vases
Hotel Shelves
Shower Curtain Rods
Soap & Bottle Baskets
Cabinet Hardware*

CANTERBURY
CASSANDRA
CHELSEA
SUSSEX

INSTALLATION
INSTRUCTIONS

G U S A

460-N Greenway Industrial Drive
Fort Mill, SC 29708

for
TOWEL BAR

GINGER

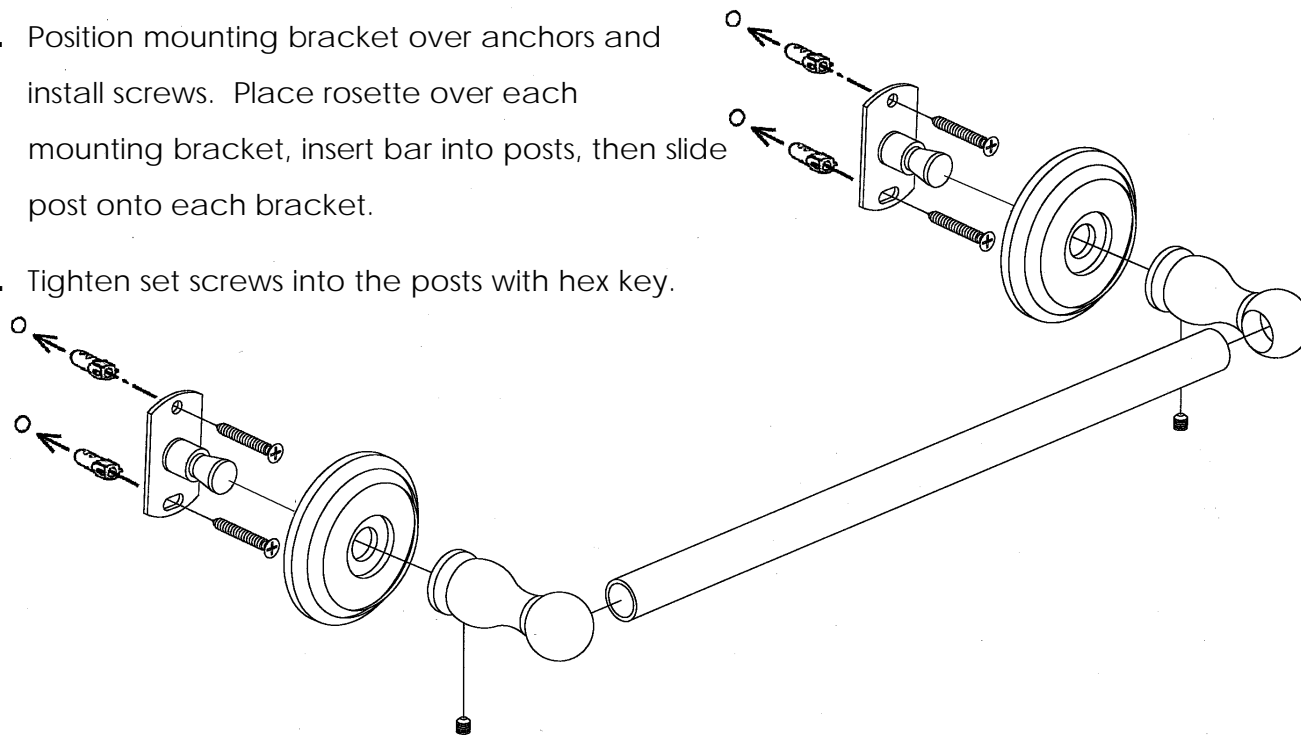
GINGER



TOWEL BAR *INSTALLATION INSTRUCTIONS*

1. Mark CTC (Center to Center - see chart at right) dimension of towel bar on wall at desired mounting position.
2. Position center of mounting bracket over marks made in Step 1 and trace screw hole positions for both brackets onto wall.
3. Drill 3/16" (5mm) holes in drywall, 1/4" (6mm) in tile at screw hole marks. Insert anchors and tap flush with wall.
4. Position mounting bracket over anchors and install screws. Place rosette over each mounting bracket, insert bar into posts, then slide post onto each bracket.
5. Tighten set screws into the posts with hex key.

APPLICATIONS:				
Chelsea	Cassandra	Canterbury	Sussex	CTC
1101	1401	1501	1701	12"
1102	1402	1502	1702	18"
1103	1403	1503	1703	24"
1104	1404	1504	1704	32"



CARE OF FINE BRASS

The finish is protected with a clear, durable, baked-on enamel. To clean, use warm soapy water, and dry with a soft cloth. Occasional paste waxing is also recommended. NEVER use brass polish, abrasives or abrasive wax.