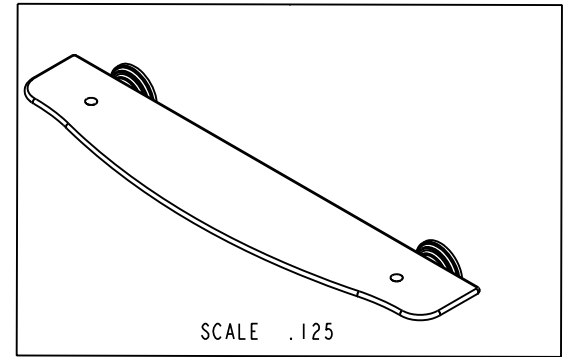


**BILL OF MATERIAL (CURRENT LEVEL)**

ITEM	PT/ASSY	DESCRIPTION	TYPE	QTY.
1	1119-24TSCL	24" SHELF GLASS	PART	1
2	1134B_18	CHELSEA SHELF BRACKETS, PAIR	ASSEMBLY	1



COPYRIGHT 2005 GINGER. THESE DRAWINGS AND THE DESIGNS DEPICTED HEREIN ARE THE PROPRIETARY PROPERTY OF GINGER. ANY USE OR REPRODUCTION IS SUBJECT TO THE EXPRESS APPROVAL OF GINGER. UNAUTHORIZED USE IS STRICTLY PROHIBITED. ALL RIGHTS RESERVED.

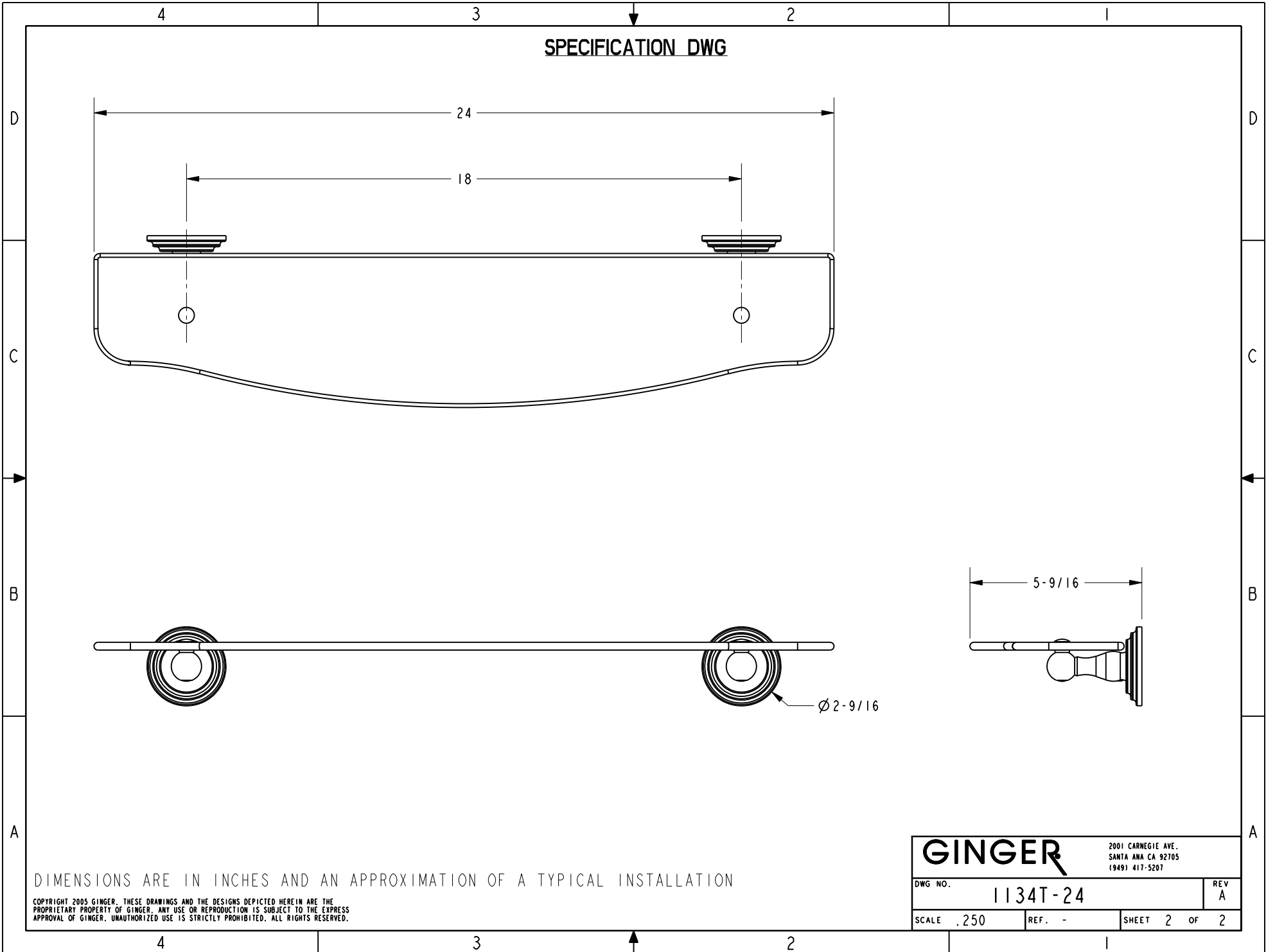
**GINGER**

2001 CARNEGIE AVE.  
SANTA ANA CA 92705  
(949) 417-5207

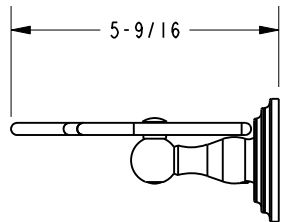
24" TRADITIONAL SHELF

ASSY. NO. 1134T-24					
SCALE .250	REF. -	SHEET 1 OF 2	REV	EN-2397	02/07/13
			REV DESC		DATE

SPECIFICATION DWG



Ø 2-9/16



DIMENSIONS ARE IN INCHES AND AN APPROXIMATION OF A TYPICAL INSTALLATION

COPYRIGHT 2005 GINGER. THESE DRAWINGS AND THE DESIGNS DEPICTED HEREIN ARE THE PROPRIETARY PROPERTY OF GINGER. ANY USE OR REPRODUCTION IS SUBJECT TO THE EXPRESS APPROVAL OF GINGER. UNAUTHORIZED USE IS STRICTLY PROHIBITED. ALL RIGHTS RESERVED.

<b>GINGER</b>		2001 CARNEGIE AVE. SANTA ANA, CA 92705 (949) 417-5207	
DWG NO.	1134T-24	REV	A
SCALE	.250	REF.	-
		SHEET	2 OF 2