

CHELSEA
CANTERBURY
SUSSEX

INSTALLATION
INSTRUCTIONS

for

TOWEL BAR

1101-1104, 1501-1504,
1701-1704

GINGER®

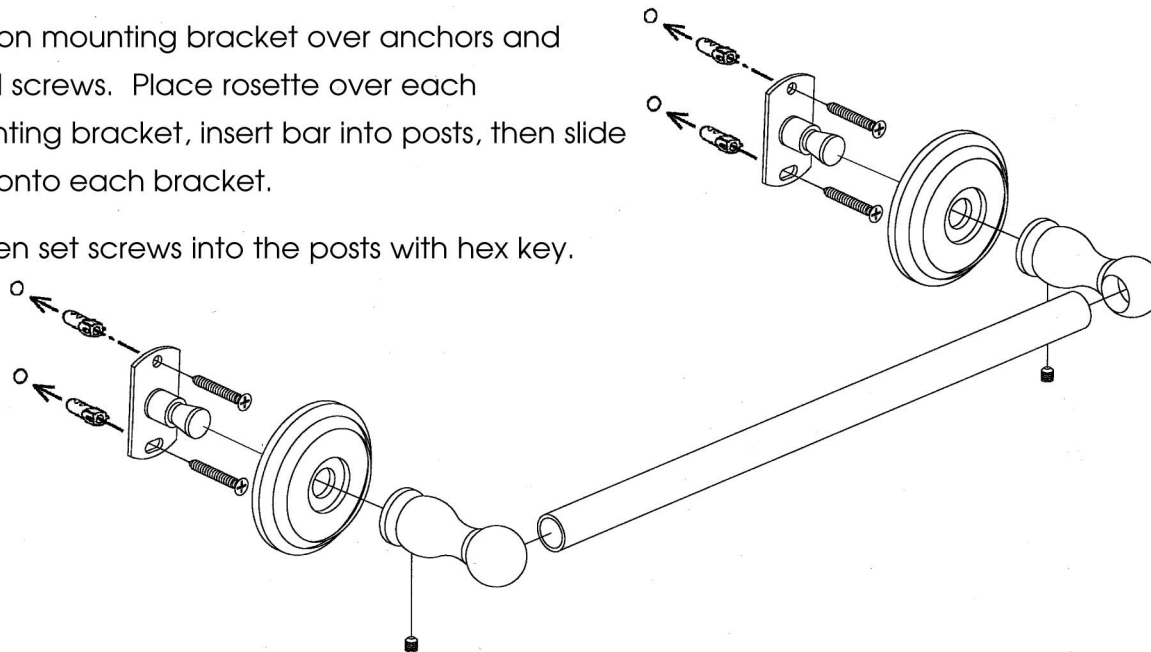
INSTALLATION INSTRUCTIONS

Chelsea, Canterbury, Sussex Towel Bar

1101-1104, 1501-1504, 1701-1704

1. Mark CTC (Center to Center - see chart at right) dimension of towel bar on wall at desired mounting position.
2. Position center of mounting bracket over marks made in Step 1 and trace screw hole positions for both brackets onto wall.
3. Drill 3/16" (5mm) holes in drywall, 1/4" (6mm) in tile at screw hole marks. Insert anchors and tap flush with wall.
4. Position mounting bracket over anchors and install screws. Place rosette over each mounting bracket, insert bar into posts, then slide post onto each bracket.
5. Tighten set screws into the posts with hex key.

APPLICATIONS:			
Chelsea	Canterbury	Sussex	CTC
1101	1501	1701	12"
1102	1502	1702	18"
1103	1503	1703	24"
1104	1504	1704	32"



CARE OF FINE BRASS

To clean, use warm water only.
NEVER use abrasives or detergents.