

*Complement
your purchase
with these
fine accessories
also from
GINGER®:*

*Lights
Mirrors
Bud Vases
Towel Bars
Towel Rings
Toilet Tissue Holders
Hooks
Soap Dishes
Tumbler Holders
Toiletry Shelves
Shower Curtain Rods
Soap & Bottle Baskets
Hotel Shelves
Grab Bars
Cabinet Hardware*

SPLASHABLES

INSTALLATION INSTRUCTIONS

for
**505L
Deep
Corner Basket**



460-N Greenway Industrial Drive
Fort Mill, SC 29708

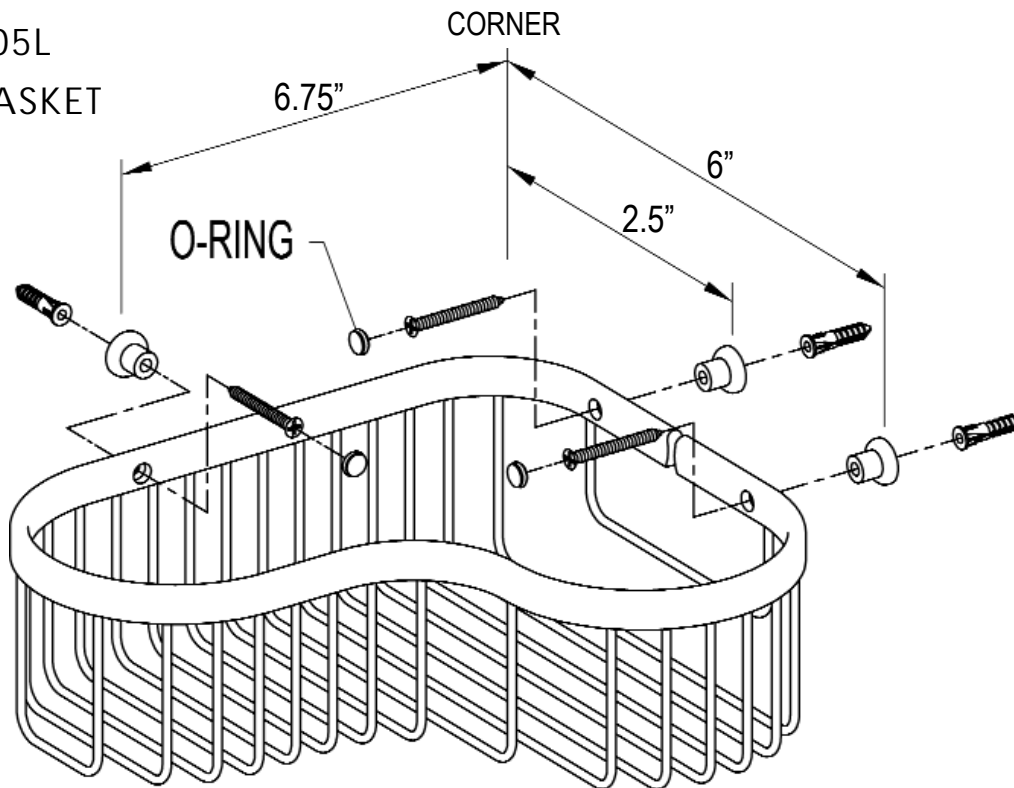


GINGER[®]

SPLASHABLES

INSTALLATION INSTRUCTIONS

FOR
GINGER
505L
BASKET



TO PREVENT LOSS OF SMALL PARTS, COVER DRAIN BEFORE BEGINNING.

- 1. Starting from the corner use the measurements shown on the drawing at left and mark the location of the mounting screw holes on the walls.
- 2. To mount on Tile, Drill 1/4" (6mm) holes on the marks. To mount on Drywall, Drill 3/16" (5mm) holes on the marks.
- 3. Push the plastic wall anchors into the holes until the flanges contact the wall.
- 4. Insert the mounting screws through the basket frame and posts and tighten into wall anchors.
- 5. Insert screw covers. Wetting the black rubber on the cover will make insertion easier.

CARE OF FINE BRASS

The finish is protected with a clear, durable, baked-on enamel. To clean, use warm soapy water, and dry with a soft cloth. Occasional paste waxing is also recommended. NEVER use brass polish, abrasives or abrasive wax.