

# Circe

INSTALLATION  
INSTRUCTIONS

for

**Double Post Accessories**

2702H-2704H, 2708, 2722/18-/24-/32,

2734/18-/24

*Complement  
your purchase  
with these  
fine accessories  
also from  
GINGER®:*

*Towel Bars  
Towel Rings  
Toilet Tissue Holders  
Hooks  
Soap Dishes  
Tumbler Holders  
Toilettry Shelves  
Grab Bars  
Mirrors  
Lights  
Bud Vases  
Hotel Shelves  
Shower Curtain Rods  
Soap & Bottle Baskets  
Cabinet Hardware*

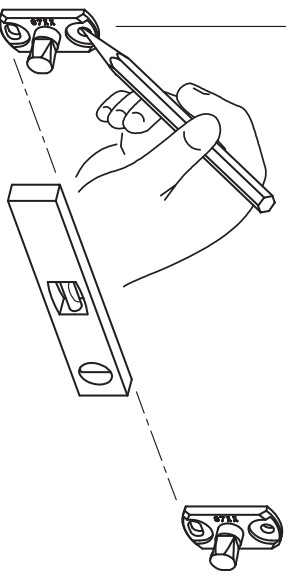


2001 CARNEGIE AVE  
SANTA ANA CA  
T. 949-417-5207

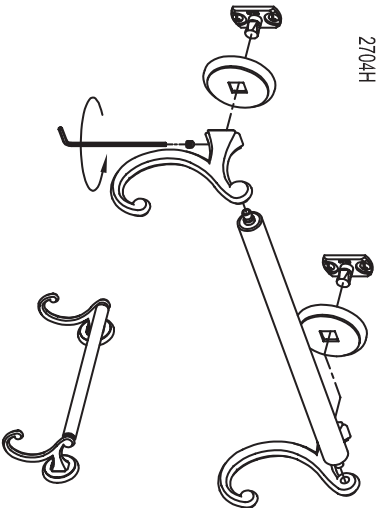
[www.gingerco.com](http://www.gingerco.com)



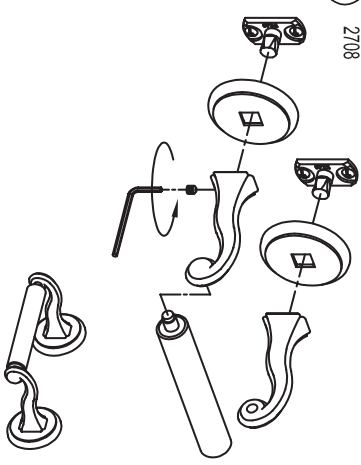
- ① 5-1/8" (130) PN: 2708 17-1/2" (445) PN: 2702, 2722/18  
 16" (406) PN: 2734/18 23-1/2" (597) PN: 2703, 2722/24  
 22" (559) PN: 2734/24 31-1/2" (800) PN: 2704, 2722/32



- ④ 2702H  
2703H  
2704H



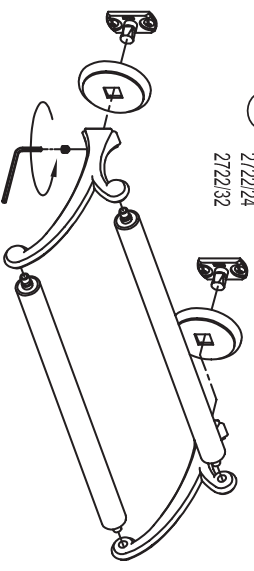
- ④ 2708



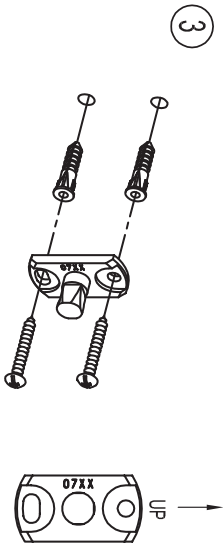
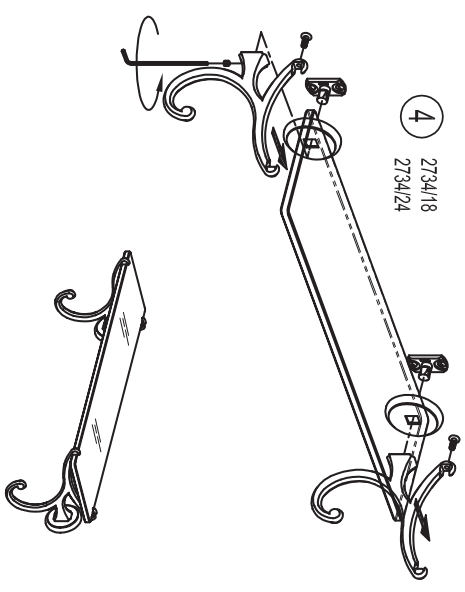
- ② MARKS MADE IN STEP 1  
 3/16" (Ø 5mm) IN DRYWALL  
 1/4" (Ø 6mm) IN TILE



- ④ 2722/18  
2722/24  
2722/32



- ④ 2734/18  
2734/24



**CARE OF FINE BRASS**  
 To clean, use warm water only.  
 NEVER use abrasives or detergents.