

Complement
your purchase
with these
fine accessories

also from
GINGER® :

- Towel Bars
- Towel Rings
- Toilet Tissue Holders
- Hooks
- Soap Dishes
- Tumbler Holders
- Toiletory Shelves
- Grab Bars
- Mirrors
- Lights
- Bud Vases
- Hotel Shelves
- Shower Curtain Rods
- Soap & Bottle Baskets
- Cabinet Hardware

CHELSEA

INSTALLATION
INSTRUCTIONS

for

SINGLE LIGHT

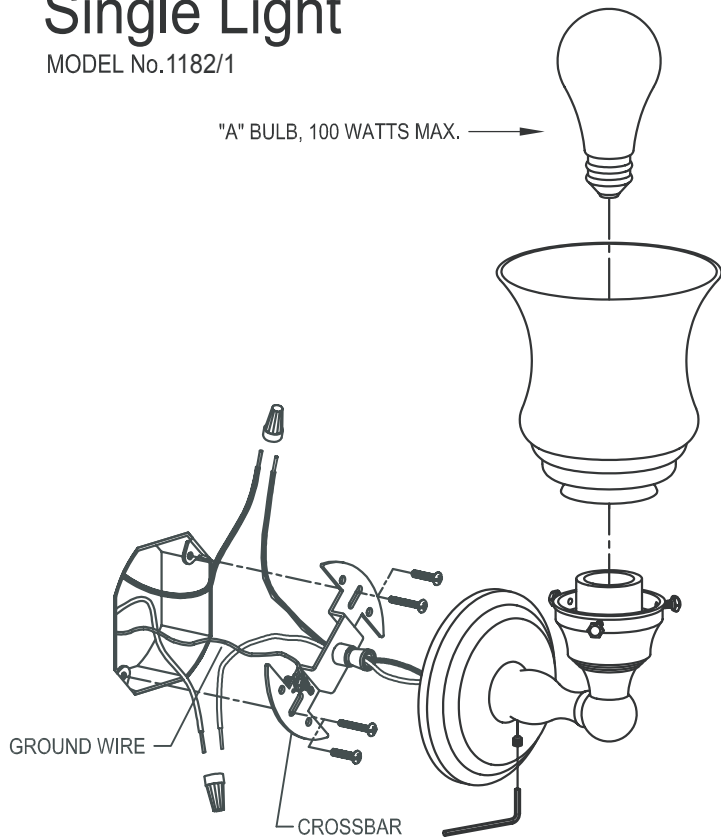
GINGER®

460-N Greenway Industrial Drive
Fort Mill SC 29708
gingerco.com

GINGER®

Chelsea Single Light

MODEL No.1182/1



Installation Instructions:

These lights should be installed by a licensed electrical contractor.

POWER REQUIREMENTS: 100-120 Volts

NOTE: *This light may be inverted for down lighting if preferred.*

SAFETY: TO PREVENT ELECTRICAL SHOCK, BE SURE THAT POWER IS OFF BEFORE STARTING INSTALLATION.

INSTALLATION :

1. Provide the required wiring to the wall-mounted electrical box. The electrical box should be flush in the wall.
2. Mount crossbar to the electrical box. The crossbar should be flat against the wall with the spindle facing away from the wall.
3. Connect house ground wire to the crossbar with attached ground screw.
4. Feed the light fixture wires through the center hole of the crossbar.
5. Connect the white wire of the fixture to the house neutral wire with a wire nut.
6. Connect the Black wire of the fixture to the house hot wire with a wire nut.
7. Slide the fixture over the spindle of the crossbar until it is flush against the wall. Secure the fixture by tightening the set screw with the provided wrench. Make sure the wires are not pinched during this process.
8. Position glass shade onto fixture and tighten thumb screws (Be careful not to over-tighten).
9. Install light bulbs.

GINGER®