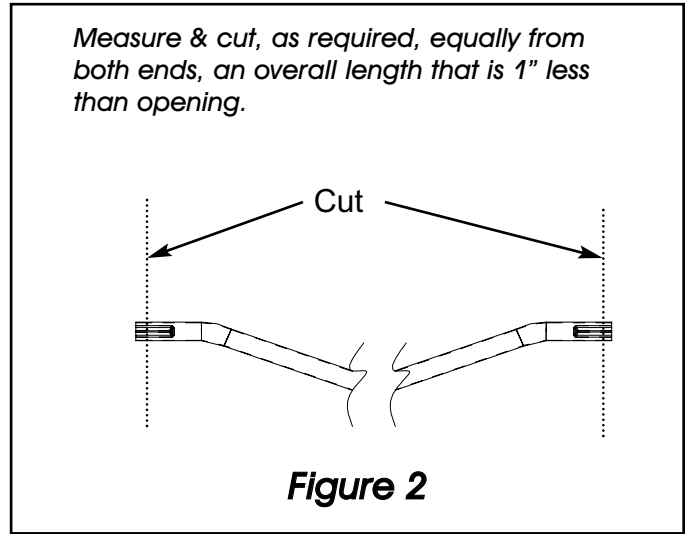
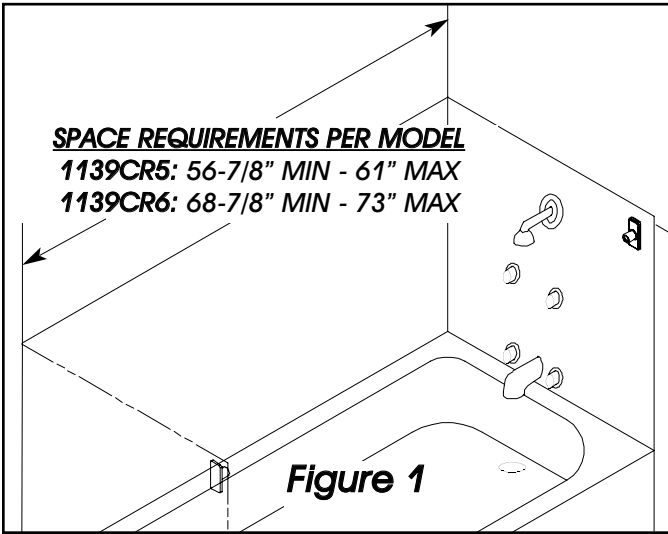


CURVED SHOWER ROD

Installation Instructions

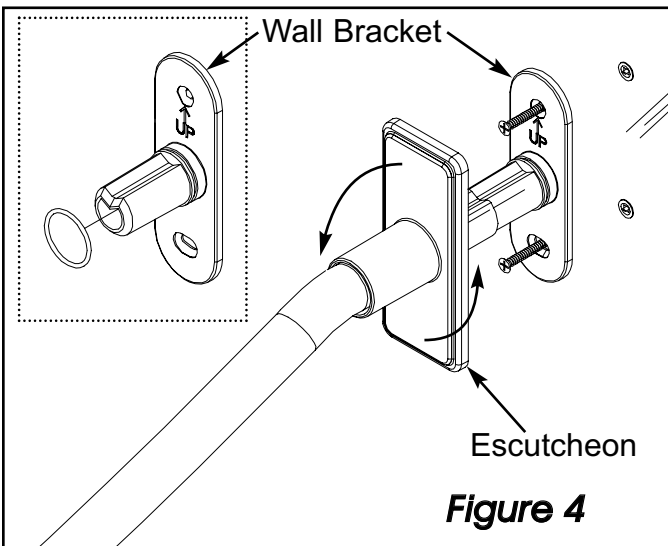
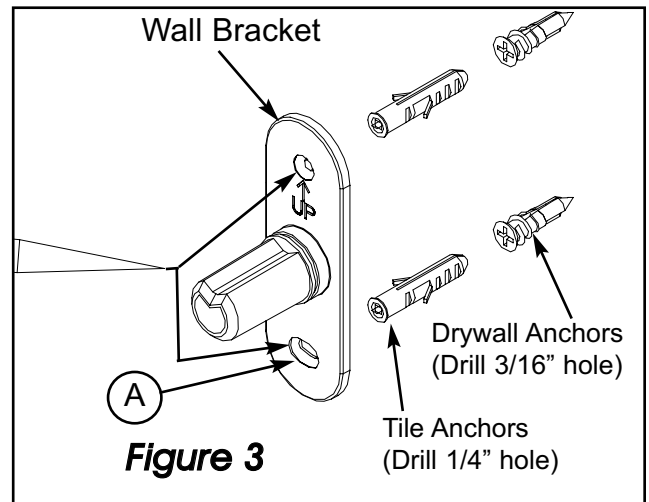
Model No. 1139CR5 & 1139CR6



Figures 1, 2 & 3

1. Level, mark and drill bracket hole pattern at both ends.
(A=Distance from floor, (curtain length + 6"))
2. Install appropriate anchors* into mounting surface. Ensure anchor heads are flush to wall.
Do not install wall brackets.

*Anchors not included and must be purchased separately.



Figures 4

1. Slide o-ring into wall bracket o-ring groove.
2. Slide escutcheon, then wall brackets onto rod.
3. Rotate escutcheon to access wall bracket hole pattern.
4. Install rod by securing wall brackets with screws.
5. Rotate and slide escutcheons over wall brackets.

Tools required: Level, Measuring Tape, Drill, Phillips Screw driver

GINGER
Luxury For Your Lifestyle™