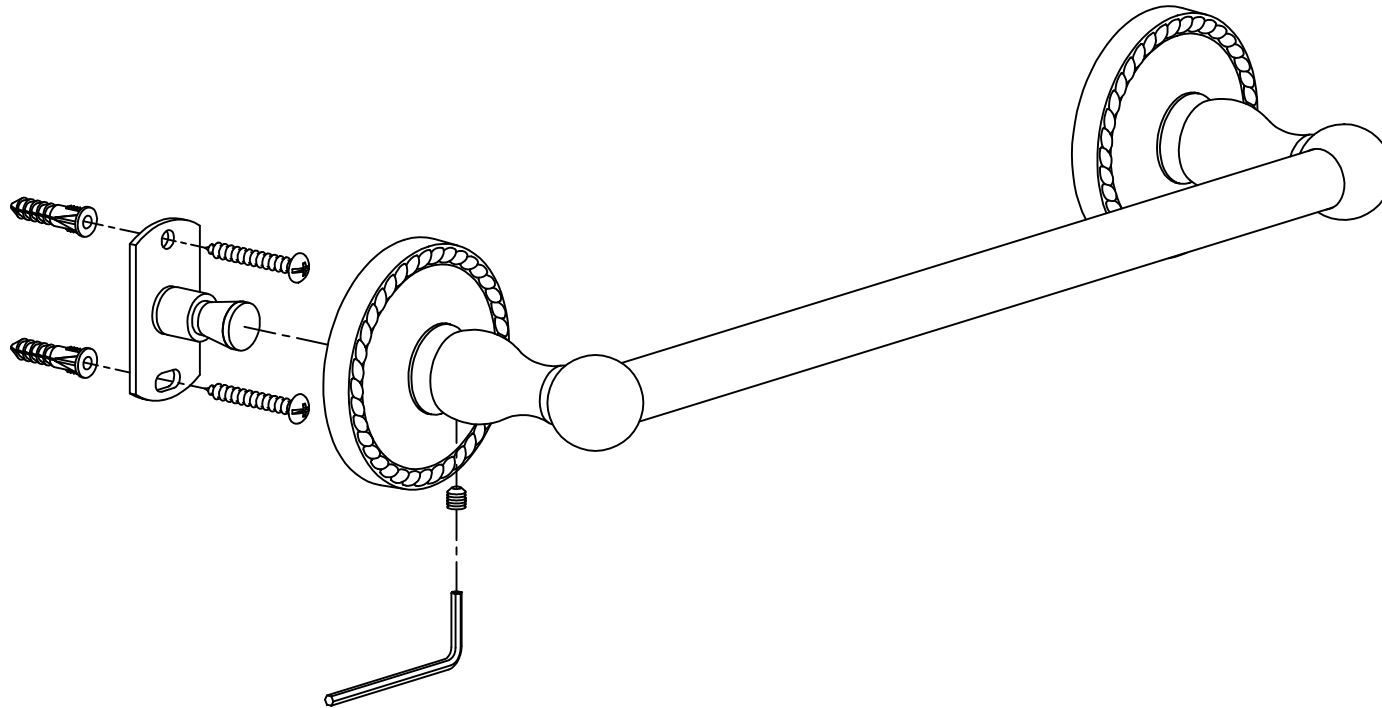
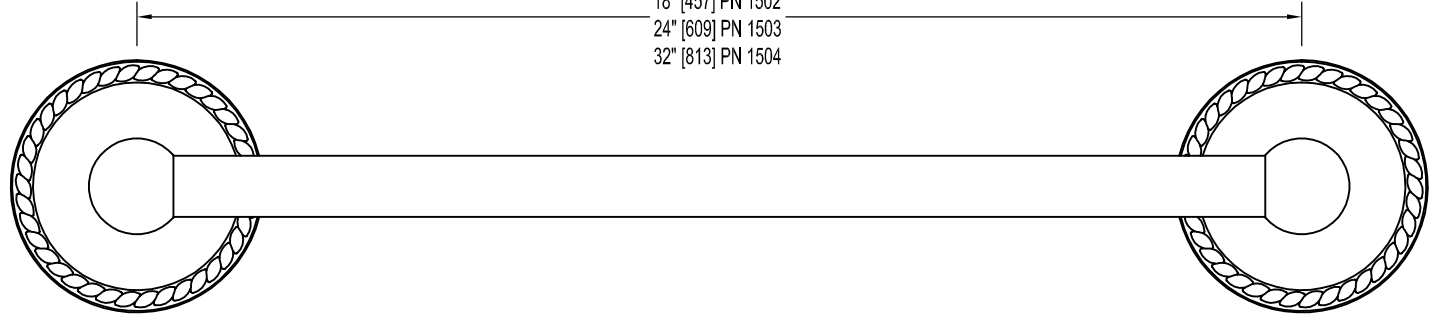



12" [304] PN 1501
 18" [457] PN 1502
 24" [609] PN 1503
 32" [813] PN 1504



CANTERBURY TOWEL BARS

LENGTH PART NO.

12"	1501
18"	1502
24"	1503
32"	1504

FINISHES: 3-POLISHED BRASS, 14-POLISHED NICKEL, 15-SATIN NICKEL, 15A-ANT. NICKEL, 26-POLISHED CHROME, 26/3-COMBO		
MATERIAL: FORGED BRASS ROSETTE, BRASS POST AND TUBE, PLATED STEEL HARDWARE		
PART NOS. 1501 ~ 1504		WEIGHT: 1 LBS. 8 OZ. [680 G.] (18")
TOWEL BARS		DWG.NO. PD-1501
DATE: 5.JUN.01	REV.	SCALE 1:2
CANTERBURY		