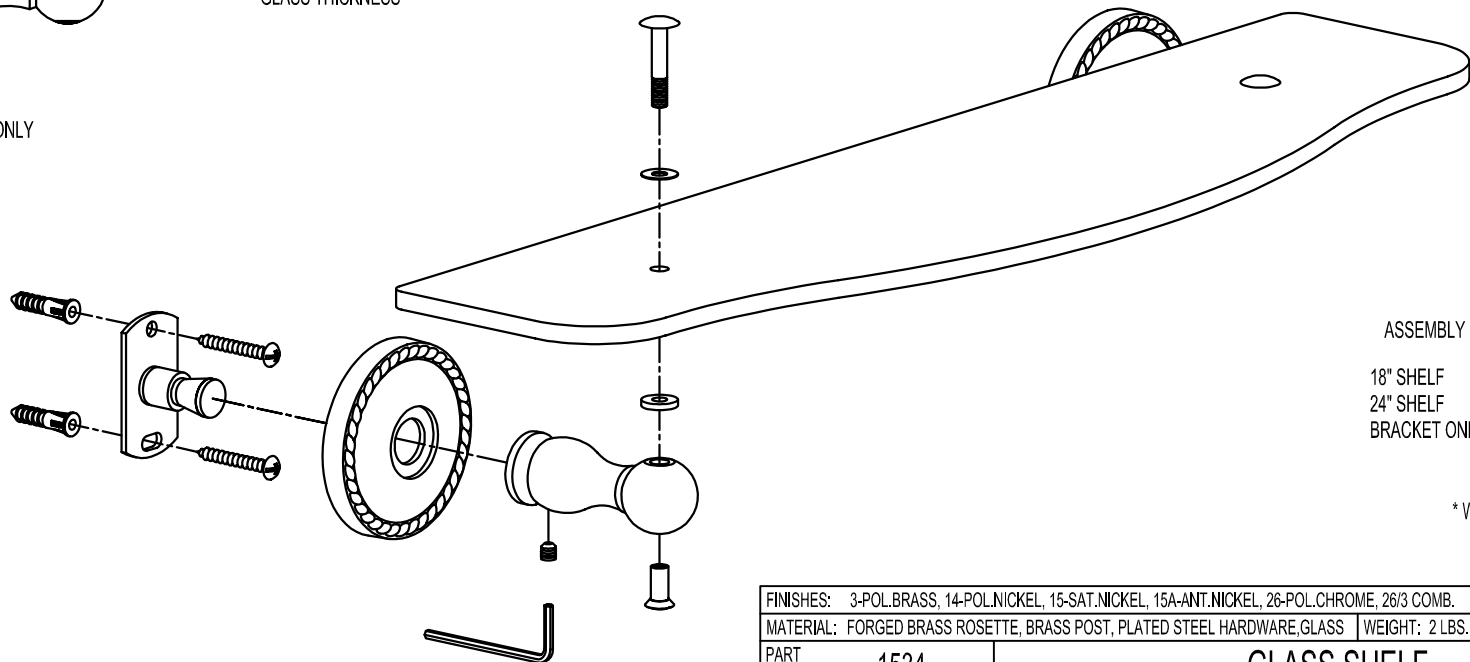


1534B  
BRACKET ONLY



ASSEMBLY	PART NO.	PART NO.*
18" SHELF	1534/18	1534T/18
24" SHELF	1534/24	1534T/24
BRACKET ONLY	1534B	

\* WITH TEMPERED GLASS

FINISHES: 3-POL.BRASS, 14-POL.NICKEL, 15-SAT.NICKEL, 15A-ANT.NICKEL, 26-POL.CHROME, 26/3 COMB.	
MATERIAL: FORGED BRASS ROSETTE, BRASS POST, PLATED STEEL HARDWARE, GLASS	WEIGHT: 2 LBS. 12 OZ. [1.25 KG.] (18" SHELF)
PART NO. 1534	GLASS SHELF
DATE: 13.NOV.00	REV. 14.MAY.01
SCALE 2:5	CANTERBURY

