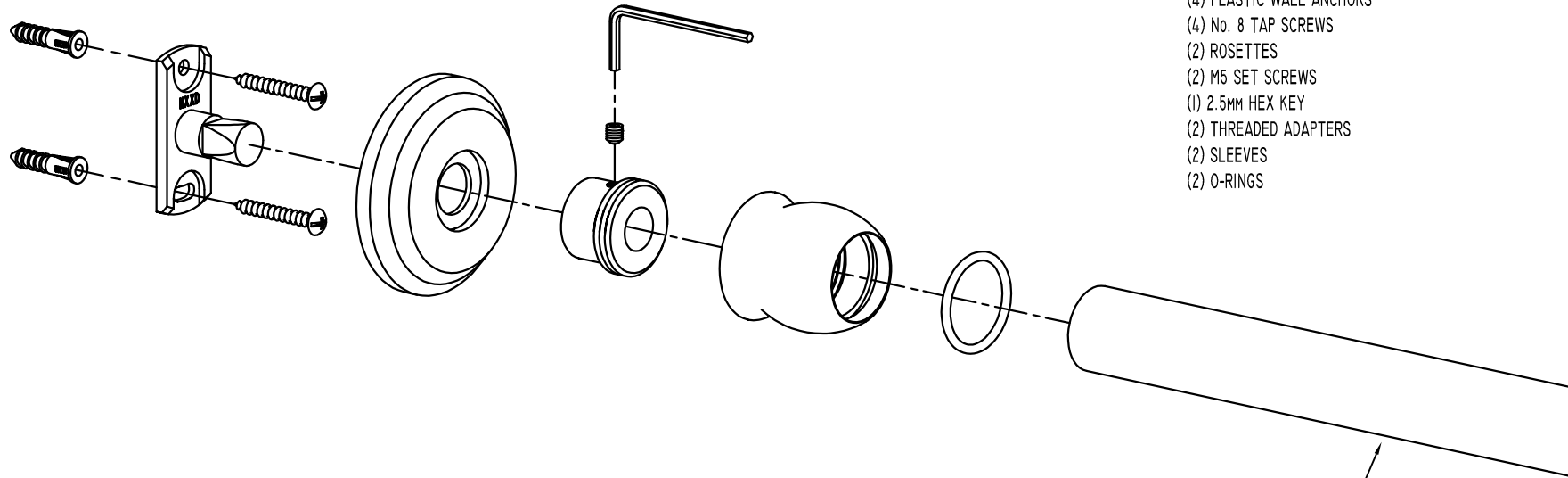
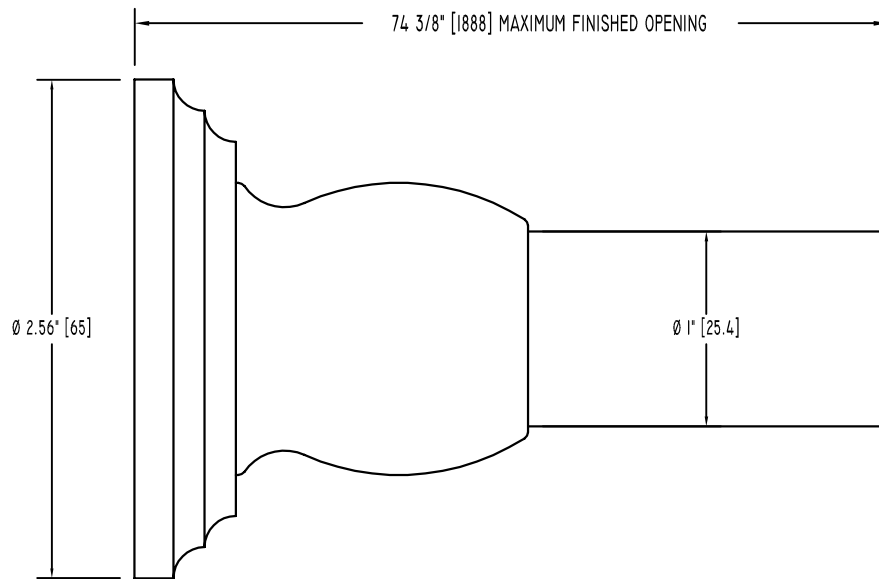


1139B BRACKET KIT INCLUDES:


- (2) MOUNTING BRACKETS
- (4) PLASTIC WALL ANCHORS
- (4) No. 8 TAP SCREWS
- (2) ROSETTES
- (2) M5 SET SCREWS
- (1) 2.5MM HEX KEY
- (2) THREADED ADAPTERS
- (2) SLEEVES
- (2) O-RINGS



1" [25.4] x 72" [1829] BRASS TUBE  
PART No. 1139R/6



NOTE: COMPLETE SHOWER ROD ASSEMBLY REQUIRES (1) BRACKET KIT PN 1139B AND (1) CURTAIN ROD PN 1139R/6.

FINISHES: 3-POL. BRASS, 10B-OIL RUB. BRONZE, 14-POL. NICKEL, 15-SATIN NICKEL, 15A-ANT. NICKEL, 26-POL. CHROME, 26/3-COMBO		
MATERIAL: FORGED BRASS ROSETTE, BRASS SLEEVE & ADAPTER, STAINLESS STEEL MT. BRACKET		
PART NO.	1139R/6 1139B	SHOWER ROD ASSEMBLY
DATE: 01.FEB.00	REV. 08.AUG.01	SCALE 1:1
		CHELSEA

DWG.NO.  
PD-1139