

Features

- Solid brass construction
- Single-post, vertical open roller design
- Complements Canterbury product series

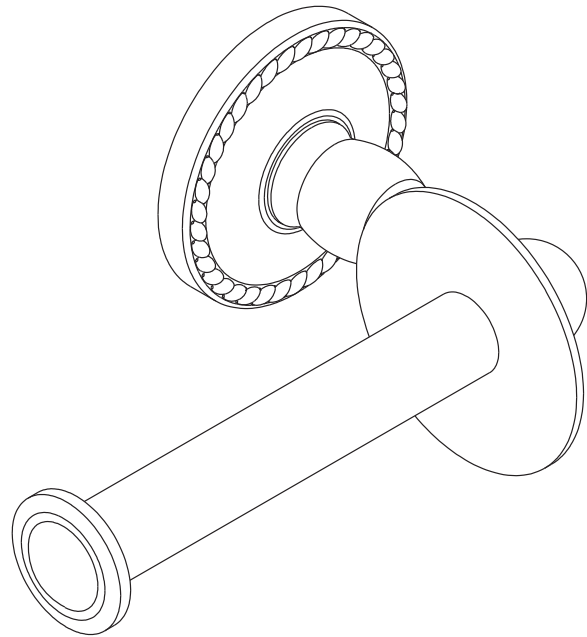
Codes / Standards Compliance

Meets or exceeds the following at date of manufacture:

- All applicable US Federal and State material regulations

Colors / Finishes

- SN: Satin Nickel
- PB: Polished Brass
- PC: Polished Chrome



Specified Model

Model	Description	Colors Finishes
1507	Spare Toilet Tissue Holder	<input type="checkbox"/> SN <input type="checkbox"/> PB <input type="checkbox"/> PC

Product Specification: Add "Color / Finish" Suffix to Model Number Below.

The Toilet Tissue Holder shall be made of solid brass construction and incorporate a single-post, vertical open roller design. Toilet Tissue Holder shall complement Ginger Canterbury product series. Toilet Tissue Holder shall be Ginger Model 1507/_____.

1507

Product Dimensions *(units are in inches)*

