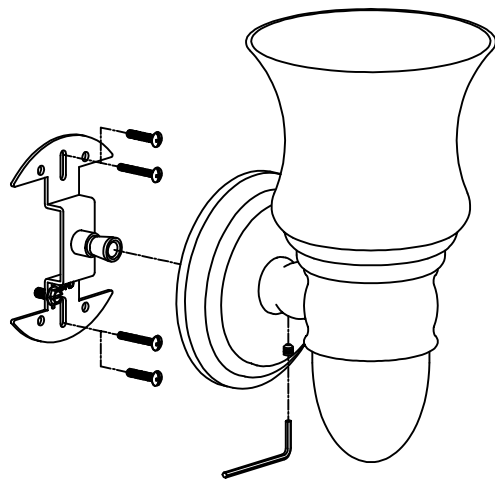


RECOMMENDED BULBS

- TOP: MEDIUM BASE, 100 WATT MAXIMUM
- BOTTOM: CANDELABRA BASE C7, 7 WATT MAXIMUM



HAND BLOWN GLASS SHADE FINISHES: CLEAR SATIN ETCHED, SATIN OPAL, SATIN NUAGE

FINISHES: 3-POL.BRASS, 10B-OIL RUBBED BRONZE, 14-POL.NICKEL, 15-SATIN NICKEL, 15A-ANT.NICKEL, 26-POL.CHROME, 26/3 COMBO		WEIGHT: 2 LBS. 2 OZ. [1 KG.]		DESIGN: VICTOR HOERNIG
MATERIAL: VARIOUS BRASSES, STEEL, GLASS				
PART NO.	1181	SCONCE LIGHT W/NIGHTLIGHT		
DATE: 25.JUN.01	REV.	SCALE 1:4	CHELSEA	



DWG.NO.  
PD-1181