

Grab Bar (Three Post)

666

Also 667

Features

- Solid brass construction
- Three-post design
- Complements Empire product series

Codes / Standards Compliance

Meets or exceeds the following at date of manufacture:

- All applicable US Federal and State material regulations
- ADA

Colors / Finishes

- PN: Polished Nickel
- SN: Satin Nickel
- PC: Polished Chrome
- ORB: Oil Rubbed Bronze
- Other: NA



Specified Model

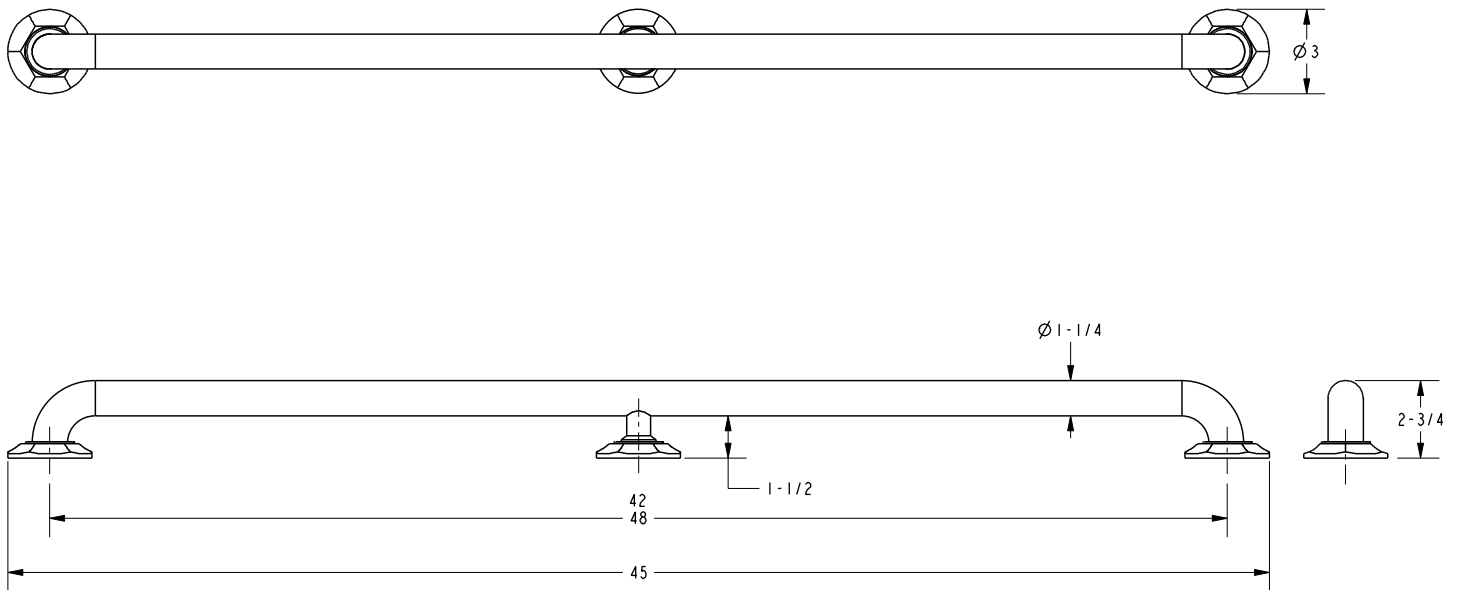
Model	Description	Colors Finishes			
666	42" Grab Bar	<input type="checkbox"/> PN	<input type="checkbox"/> SN	<input type="checkbox"/> PC	<input type="checkbox"/> ORB
667	48" Grab Bar	<input type="checkbox"/> PN	<input type="checkbox"/> SN	<input type="checkbox"/> PC	<input type="checkbox"/> ORB

Product Specification: Add "Length Indicator and Color / Finish" suffix to Model number, below.

The Grab Bar shall be made of solid brass construction. Grab Bar shall complement Ginger Empire product series. Grab Bar shall be Ginger Model 66____/____.

666, 667

Product Dimensions *(units are in inches)*



 MEETS OR EXCEEDS ASTM F446 STANDARDS AND CONFORMS TO ADA GUIDELINES.