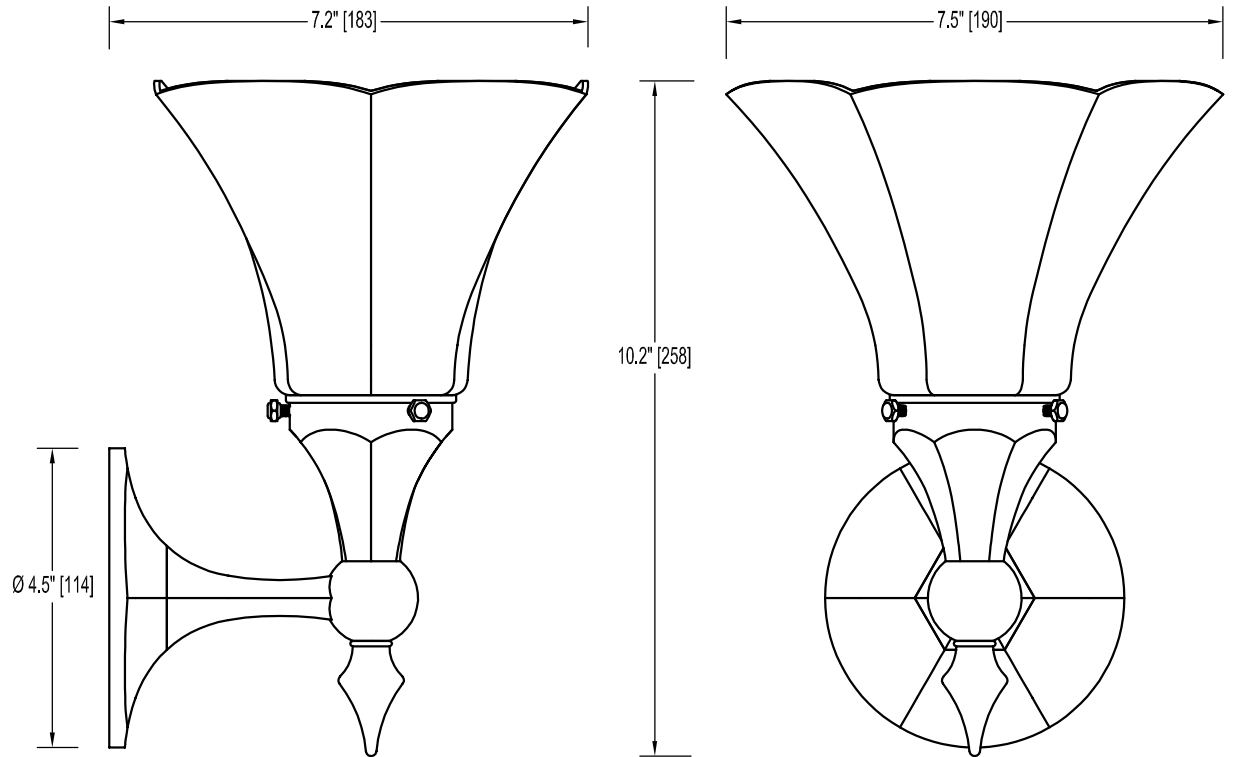
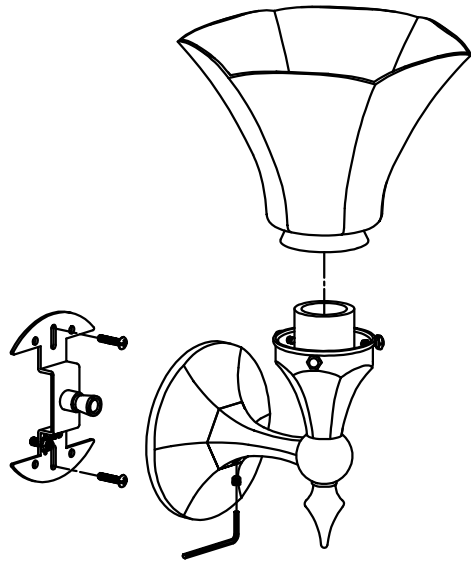


RECOMMENDED BULB:  
MEDIUM BASE, 100 WATT MAX.



NOTE: FIXTURE MAY BE INSTALLED INVERTED

UL LISTED

HAND BLOWN GLASS SHADE FINISHES: GLOSSY AMBER, SATIN OPAL

FINISHES: 3-POLISHED BRASS, 14-POLISHED NICKEL, 15-SATIN NICKEL, 26-POLISHED CHROME		DESIGN: VICTOR HOERNIG
MATERIAL: BRASS BASE, POST & FINIAL, FORGED BRASS CUP, GLASS, PLATED STEEL HARDWARE		WEIGHT: 2 LBS. 13 OZ. [1.3 KG.]
PART NO.	682	<b>SCONCE LIGHT</b>
DATE: 23.JAN.02	REV.	



DWG.NO.  
PD-682