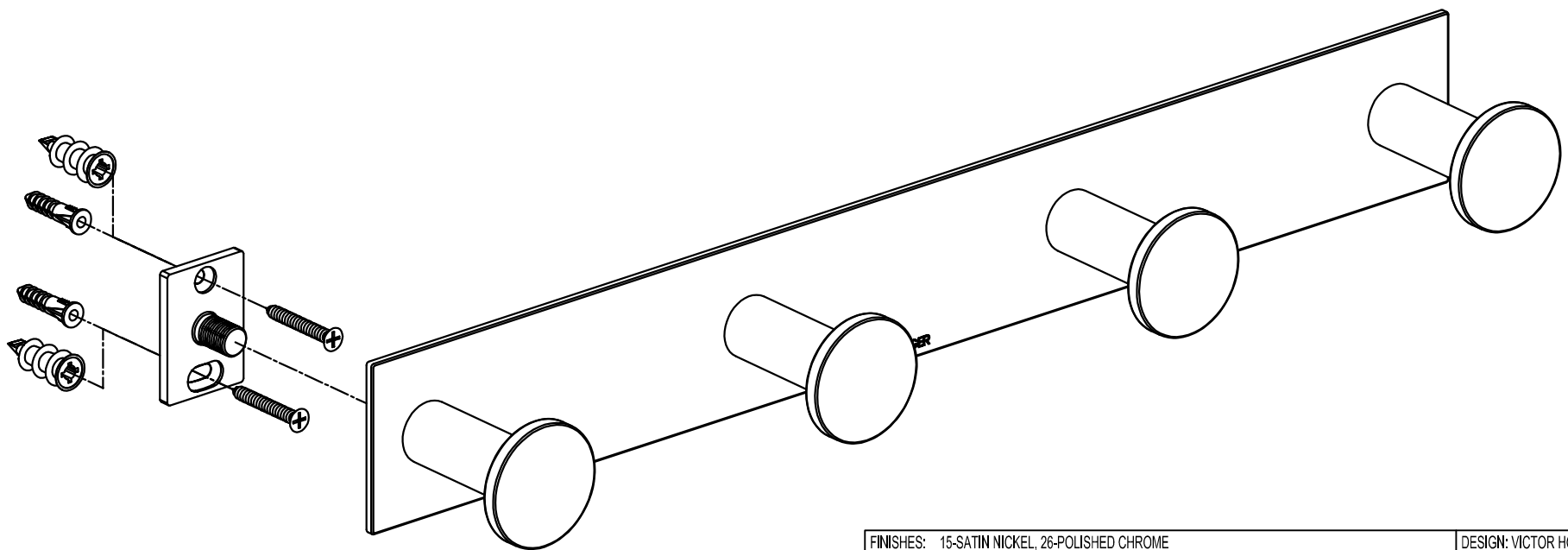



GINGER



FINISHES: 15-SATIN NICKEL, 26-POLISHED CHROME		DESIGN: VICTOR HOERNIG		
MATERIAL: VARIOUS BRASSES, STAINLESS STEEL MOUNTING HARDWARE		WEIGHT: 2 LBS. 1 OZ. [936 G.]		
PART NO.	2810Q	QUADRUPLE HOOK		DWG.NO.
DATE: 23.JUN.03	REV.	SCALE 3:4	SURFACE	PD-2810Q