

Features

- Solid brass construction
- Single-post, single light design
- UL listed for damp locations
- May be installed with shade facing upward or downward
- Complements Chelsea product series

Codes / Standards Compliance

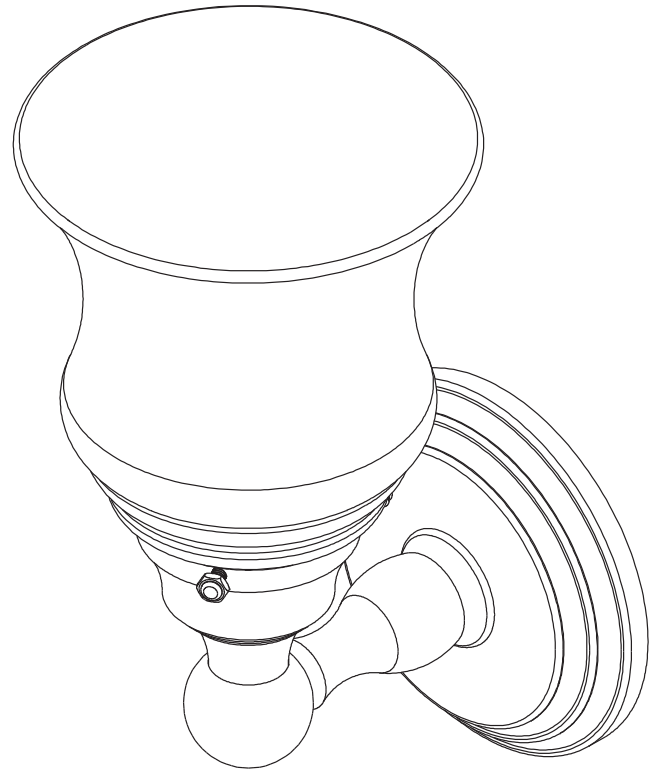
Meets or exceeds the following at date of manufacture:

- UL 1598
- All applicable US Federal and State material regulations

Colors / Finishes

- ORB: Oil Rubbed Bronze
- PC: Polished Chrome
- PN: Polished Nickel
- SN: Satin Nickel
- Other: Refer to the Ginger catalog for additional color/finish options.

Single Light **1182-1** Also 1182-1N, 1182-1SO



Specified Model

Model	Description	Colors Finishes				
1182-1	Single Light, Satin-Etched Glass	<input type="checkbox"/> ORB	<input type="checkbox"/> PC	<input type="checkbox"/> PN	<input type="checkbox"/> SN	<input type="checkbox"/> Other
1182-1N	Single Light, Nuage Glass	<input type="checkbox"/> ORB	<input type="checkbox"/> PC	<input type="checkbox"/> PN	<input type="checkbox"/> SN	<input type="checkbox"/> Other
1182-1SO	Single Light, Satin Opal Glass	<input type="checkbox"/> ORB	<input type="checkbox"/> PC	<input type="checkbox"/> PN	<input type="checkbox"/> SN	<input type="checkbox"/> Other
1181-TG-E	Replacement Main Glass Shade, Satin-Etched Glass					
1181-TG-N	Replacement Main Glass Shade, Nuage Glass					
1181-TG-N	Replacement Main Glass Shade, Nuage Glass					

Product Specification: Add glass type designator and "Color / Finish" suffix to Model number, below.

The Single Light shall incorporate solid brass construction and a (satin-etched, nuage or satin opal) glass shade. Single Light shall complement Ginger Chelsea product series. Single Light shall be Ginger Model 1182-1____/____.

1182-1

Product Dimensions *(units are in inches)*

