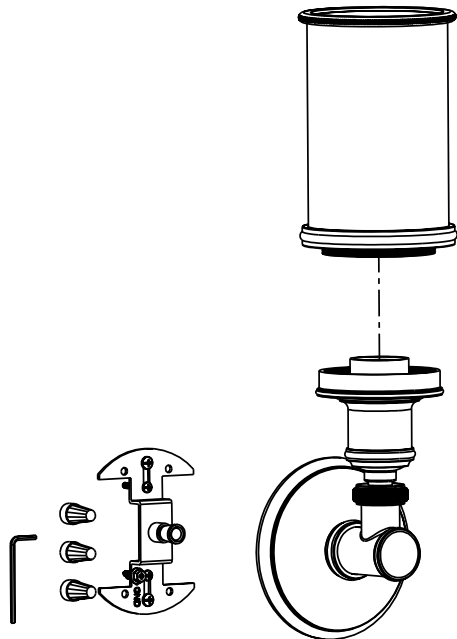


HAND BLOWN ETCHED GLASS SHADE

INSTALLATION NOTES: THIS LIGHT MOUNTS ONTO A STANDARD OUTLET BOX.

 ADA COMPLIANT



FINISHES: 10B- OIL RUBBED BRONZE, 14- POLISHED NICKEL, 15- SATIN NICKEL, 26 POLISHED CHROME		UNIT: INCH [MM]	GINGER
MATERIAL: VARIOUS BRASSES, PLATED STEEL HDRW, HAND BLOWN GLASS		WEIGHT: 3 LBS. 4 OZ. [1.5 KG]	
PART NO.	4581/1	SINGLE ADA HALL LIGHT	
DATE: 11.27.07	REV. DATE:	SCALE 1:4	COLUMNAR
			DWG. NO. PD-4581/1